



Clamshell Grapples

CTV15, CTV20, CTV30 and CTV40

Technical Specifications

Not all attachments are available in all regions. Consult your Cat® dealer for specific configurations available in your region.

Table of Contents

Specifications	2				
Dimensions	3				
Hydraulic Specifications	4				
Matching – Tracked Excavators	5				
320D25	323 N7	330 GC.....12	336F XE.....16	345 GC.....26	352.....29
320F.....5	325F CR.....7	330.....13	336 GC.....17	349D226	352 UHD30
320 GC.....5	325.....8	333.....13	336.....18	349F.....27	374F.....31
320.....5	326D28	335F CR.....14	340D221	349F XE.....27	374.....31
323D26	326F.....9	335.....14	340F.....22	349.....27	
323F.....6	326.....9	336D2 GC15	340F UHD22	350.....28	
323 GC.....6	330D211	336D215	340.....23	352F.....28	
323.....7	330F.....11	336F.....15	340 UHD25	352F XE.....28	
Matching – Wheeled Excavators	32				
M318F.....32	M319.....34	M320F.....34	M322D2.....36	M322F.....37	
M318.....32	M320D2.....34	M320.....35	M322D2 MH.....37	M322.....37	
Matching – Material Handlers	38				
M324D2 MH.....38	MH3024.....41	MH3040.....47	MH3260.....47		
MH3022.....38	MH3026.....45	MH3250.....47			

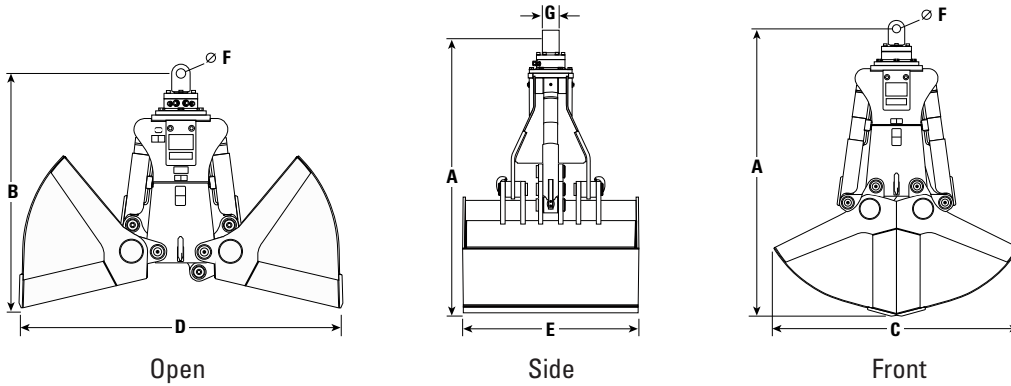
Clamshell Grapples Technical Specifications

Specifications

Model	Part Number	Capacity		Bolt on cutting edge included? (Yes/No)	Recommended Excavator Weight		Recommended Material Handler Weight		Weight		Rated Lifting Load of Grapple	
		L	yd ³		Min. tons	Max. tons	Min. tons	Max. tons	kg	lb	tons	lb
CTV15	591-6812	1000	1.25	No	15	25	20	35	1305	2877	5	10000
	344-8823	1200	1.50	No	15	25	20	35	1385	3053	5	10000
	591-6813	1500	2.00	No	15	25	20	35	1505	3318	5	10000
	591-6814	1700	2.25	No	15	25	20	35	1586	3497	5	10000
	591-6815	1900	2.50	No	15	25	20	35	1666	3673	5	10000
	591-6816	2300	3.00	No	15	25	20	35	1827	4028	5	10000
	591-7175	1900	2.50	Yes	15	25	20	35	1841	4059	5	10000
CTV20	591-6818	1300	1.75	No	20	35	30	45	1766	3893	8	16000
	346-4114	1500	2.00	No	20	35	30	45	1835	4045	8	16000
	591-6836	1700	2.25	No	20	35	30	45	1896	4180	8	16000
	591-6838	1900	2.50	No	20	35	30	45	1959	4319	8	16000
	591-6839	2300	3.00	No	20	35	30	45	2110	4652	8	16000
	591-6841	2700	3.50	No	20	35	30	45	2238	4934	8	16000
	501-9625	1500	2.00	Yes	20	35	30	45	2032	4480	8	16000
501-9634	2300	3.00	Yes	20	35	30	45	2360	5203	8	16000	
CTV30	591-6842	1700	2.25	No	30	45	40	65	2484	5476	10	20000
	357-9430	1900	2.50	No	30	45	40	65	2544	5609	10	20000
	591-6845	2300	3.00	No	30	45	40	65	2684	5917	10	20000
	591-6847	2700	3.50	No	30	45	40	65	2834	6248	10	20000
	591-6848	2900	3.75	No	30	45	40	65	2884	6358	10	20000
	591-6849	3100	4.00	No	30	45	40	65	2959	6523	10	20000
	591-6850	3800	5.00	No	30	45	40	65	2998	6609	10	20000
	501-9637	1900	2.50	Yes	30	45	40	65	2812	6199	10	20000
	457-6508	2300	3.00	Yes	30	45	40	65	2966	6539	10	20000
	501-9638	2500	3.25	Yes	30	45	40	65	3064	6755	10	20000
	501-9640	2700	3.50	Yes	30	45	40	65	3154	6953	10	20000
501-1546	3400	4.50	Yes	30	45	40	65	3205	7066	10	20000	
501-9641	3800	5.00	Yes	30	45	40	65	3328	7337	10	20000	
CTV40	591-6851	3500	4.50	No	40	65	65	90	4087	9010	15	30000
	390-7459	4000	5.25	No	40	65	65	90	4312	9506	15	30000
	591-6853	4500	5.75	No	40	65	65	90	4451	9813	15	30000
	591-6855	5000	6.50	No	40	65	65	90	4634	10216	15	30000
	591-6856	6100	8.00	No	40	65	65	90	4697	10355	15	30000
	468-2557	3800	5.00	Yes	40	65	65	90	4688	10335	15	30000
	517-6726	4600	6.00	Yes	40	65	65	90	5040	11111	15	30000
	494-0327	5000	6.50	Yes	40	65	65	90	5209	11484	15	30000
	501-1547	5400	7.00	Yes	40	65	65	90	5001	11025	15	30000
494-0328	6100	8.00	Yes	40	65	65	90	5427	11964	15	30000	

Clamshell Grapples Technical Specifications

Dimensions



Model	Part Number	(A) Height, Shells Closed		(B) Height, Shells Open		(C) Spread, Shells Closed		(D) Spread, Shells Open		(E) Shell Width		(F) Pin Diameter		(G) Width of Mounting Head	
		mm	in	mm	in	mm	in	mm	in	mm	in	mm	in	mm	in
CTV15	591-6812	2220	87.40	1630	64.17	1860	73.23	2150	84.65	1030	40.55	50	2.0	118	4.65
	344-8823	2220	87.40	1630	64.17	1860	73.23	2150	84.65	1230	48.43	50	2.0	118	4.65
	591-6813	2220	87.40	1630	64.17	1860	73.23	2150	84.65	1530	60.24	50	2.0	118	4.65
	591-6814	2220	87.40	1630	64.17	1860	73.23	2150	84.65	1730	68.11	50	2.0	118	4.65
	591-6815	2220	87.40	1630	64.17	1860	73.23	2150	84.65	1930	75.98	50	2.0	118	4.65
	591-6816	2220	87.40	1630	64.17	1860	73.23	2150	84.65	2330	91.73	50	2.0	118	4.65
	591-7175	2242	88.27	1635	64.37	1860	73.23	2188	86.14	1968	77.48	50	2.0	118	4.65
CTV20	591-6818	2440	96.06	1792	70.55	2074	81.65	2400	94.49	1100	43.31	60	2.4	150	5.91
	346-4114	2440	96.06	1792	70.55	2074	81.65	2400	94.49	1250	49.21	60	2.4	150	5.91
	591-6836	2440	96.06	1792	70.55	2074	81.65	2400	94.49	1400	55.12	60	2.4	150	5.91
	591-6838	2440	96.06	1792	70.55	2074	81.65	2400	94.49	1550	61.02	60	2.4	150	5.91
	591-6839	2440	96.06	1792	70.55	2074	81.65	2400	94.49	1900	74.80	60	2.4	150	5.91
	591-6841	2440	96.06	1792	70.55	2074	81.65	2400	94.49	2200	86.61	60	2.4	150	5.91
	501-9625	2470	97.24	1800	70.87	2074	81.65	2450	96.46	1300	51.18	60	2.4	150	5.91
CTV30	501-9634	2470	97.24	1800	70.87	2074	81.65	2450	96.46	1950	76.77	60	2.4	150	5.91
	591-6842	2740	107.87	2040	80.31	2265	89.17	2640	103.94	1250	49.21	80	3.1	150	5.91
	357-9430	2740	107.87	2040	80.31	2265	89.17	2640	103.94	1370	53.94	80	3.1	150	5.91
	591-6845	2740	107.87	2040	80.31	2265	89.17	2640	103.94	1650	64.96	80	3.1	150	5.91
	591-6847	2740	107.87	2040	80.31	2265	89.17	2640	103.94	1950	76.77	80	3.1	150	5.91
	591-6848	2740	107.87	2040	80.31	2265	89.17	2640	103.94	2050	80.71	80	3.1	150	5.91
	591-6849	2740	107.87	2040	80.31	2265	89.17	2640	103.94	2200	86.61	80	3.1	150	5.91
	591-6850	2740	107.87	2040	80.31	2265	89.17	2640	103.94	1950	76.77	80	3.1	150	5.91
	501-9637	2770	109.06	2045	80.51	2265	89.17	2690	105.91	1420	55.91	80	3.1	150	5.91
	457-6508	2770	109.06	2045	80.51	2265	89.17	2690	105.91	1850	72.83	80	3.1	150	5.91
	501-9638	2770	109.06	2045	80.51	2265	89.17	2690	105.91	1850	72.83	80	3.1	150	5.91
	501-9640	2770	109.06	2045	80.51	2265	89.17	2690	105.91	2000	78.74	80	3.1	150	5.91
	501-1546	2965	116.73	2095	82.48	2605	102.56	3070	120.87	2000	78.74	80	3.1	150	5.91
501-9641	2965	116.73	2095	82.48	2605	102.56	3070	120.87	2000	78.74	80	3.1	150	5.91	
CTV40	591-6851	3080	121.26	2257	88.86	2643	104.06	3060	120.47	1800	70.87	90	3.5	200	7.87
	390-7459	3080	121.26	2257	88.86	2643	104.06	3060	120.47	2050	80.71	90	3.5	200	7.87
	591-6853	3080	121.26	2257	88.86	2643	104.06	3060	120.47	2300	90.55	90	3.5	200	7.87
	591-6855	3080	121.26	2257	88.86	2643	104.06	3060	120.47	2550	100.39	90	3.5	200	7.87
	591-6856	3298	129.84	2314	91.10	3020	118.90	3480	137.01	2300	90.55	90	3.5	200	7.87
	468-2557	3115	122.64	2267	89.25	2643	104.06	3117	122.72	2007	79.02	90	3.5	200	7.87
	517-6726	3115	122.64	2267	89.25	2643	104.06	3117	122.72	2407	94.76	90	3.5	200	7.87
	494-0327	3115	122.64	2267	89.25	2643	104.06	3117	122.72	2607	102.64	90	3.5	200	7.87
	501-1547	3333	131.22	2323	91.46	3020	118.90	3537	139.25	2087	82.17	90	3.5	200	7.87
	494-0328	3333	131.22	2323	91.46	3020	118.90	3537	139.25	2357	92.80	90	3.5	200	7.87

Clamshell Grapples Technical Specifications

Hydraulic Specifications

Model	Part Number	Recommended Hydraulic Pressure Grapple Close		Recommended Hydraulic Pressure Grapple Open		Maximum Hydraulic Pressure Grapple Open/Close		Recommended Hydraulic Flow Grapple Open/Close		Recommended Hydraulic Pressure Rotation		Maximum Hydraulic Pressure Grapple Rotation		Recommended Hydraulic Flow Grapple Rotation		Time to Open	Time to Close
		kPa	psi	kPa	psi	kPa	psi	L/min	gpm	kPa	psi	kPa	psi	L/min	gpm	seconds	seconds
CTV15	591-6812	35000	5076	22500	3263	35000	5076	125	33.03	19000	2756	22000	3191	15	3.96	1.2 @ 125 L/min	2.1 @ 125 L/min
	344-8823	35000	5076	22500	3263	35000	5076	125	33.03	19000	2756	22000	3191	15	3.96	1.2 @ 125 L/min	2.1 @ 125 L/min
	591-6813	35000	5076	22500	3263	35000	5076	125	33.03	19000	2756	22000	3191	15	3.96	1.2 @ 125 L/min	2.1 @ 125 L/min
	591-6814	35000	5076	22500	3263	35000	5076	125	33.03	19000	2756	22000	3191	15	3.96	1.2 @ 125 L/min	2.1 @ 125 L/min
	591-6815	35000	5076	22500	3263	35000	5076	125	33.03	19000	2756	22000	3191	15	3.96	1.2 @ 125 L/min	2.1 @ 125 L/min
	591-6816	35000	5076	22500	3263	35000	5076	125	33.03	19000	2756	22000	3191	15	3.96	1.2 @ 125 L/min	2.1 @ 125 L/min
	591-7175	35000	5076	22500	3263	35000	5076	125	33.03	19000	2756	22000	3191	15	3.96	1.2 @ 125 L/min	2.1 @ 125 L/min
CTV20	591-6818	35000	5076	22500	3263	35000	5076	150	39.63	22000	3191	22000	3191	25	6.61	1.2 @ 150 L/min	2.3 @ 150 L/min
	346-4114	35000	5076	22500	3263	35000	5076	150	39.63	22000	3191	22000	3191	25	6.61	1.2 @ 150 L/min	2.3 @ 150 L/min
	591-6836	35000	5076	22500	3263	35000	5076	150	39.63	22000	3191	22000	3191	25	6.61	1.2 @ 150 L/min	2.3 @ 150 L/min
	591-6838	35000	5076	22500	3263	35000	5076	150	39.63	22000	3191	22000	3191	25	6.61	1.2 @ 150 L/min	2.3 @ 150 L/min
	591-6839	35000	5076	22500	3263	35000	5076	150	39.63	22000	3191	22000	3191	25	6.61	1.2 @ 150 L/min	2.3 @ 150 L/min
	591-6841	35000	5076	22500	3263	35000	5076	150	39.63	22000	3191	22000	3191	25	6.61	1.2 @ 150 L/min	2.3 @ 150 L/min
	501-9625	35000	5076	22500	3263	35000	5076	150	39.63	22000	3191	22000	3191	25	6.61	1.2 @ 150 L/min	2.3 @ 150 L/min
501-9634	35000	5076	22500	3263	35000	5076	150	39.63	22000	3191	22000	3191	25	6.61	1.2 @ 150 L/min	2.3 @ 150 L/min	
CTV30	591-6842	35000	5076	22500	3263	35000	5076	250	66.05	16000	2321	22000	3191	20	5.28	1.4 @ 250 L/min	2.4 @ 250 L/min
	357-9430	35000	5076	22500	3263	35000	5076	250	66.05	16000	2321	22000	3191	20	5.28	1.4 @ 250 L/min	2.4 @ 250 L/min
	591-6845	35000	5076	22500	3263	35000	5076	250	66.05	16000	2321	22000	3191	20	5.28	1.4 @ 250 L/min	2.4 @ 250 L/min
	591-6847	35000	5076	22500	3263	35000	5076	250	66.05	16000	2321	22000	3191	20	5.28	1.4 @ 250 L/min	2.4 @ 250 L/min
	591-6848	35000	5076	22500	3263	35000	5076	250	66.05	16000	2321	22000	3191	20	5.28	1.4 @ 250 L/min	2.4 @ 250 L/min
	591-6849	35000	5076	22500	3263	35000	5076	250	66.05	16000	2321	22000	3191	20	5.28	1.4 @ 250 L/min	2.4 @ 250 L/min
	591-6850	35000	5076	22500	3263	35000	5076	250	66.05	16000	2321	22000	3191	20	5.28	1.4 @ 250 L/min	2.4 @ 250 L/min
	501-9637	35000	5076	22500	3263	35000	5076	250	66.05	16000	2321	22000	3191	20	5.28	1.4 @ 250 L/min	2.4 @ 250 L/min
	457-6508	35000	5076	22500	3263	35000	5076	250	66.05	16000	2321	22000	3191	20	5.28	1.4 @ 250 L/min	2.4 @ 250 L/min
	501-9638	35000	5076	22500	3263	35000	5076	250	66.05	16000	2321	22000	3191	20	5.28	1.4 @ 250 L/min	2.4 @ 250 L/min
	501-9640	35000	5076	22500	3263	35000	5076	250	66.05	16000	2321	22000	3191	20	5.28	1.4 @ 250 L/min	2.4 @ 250 L/min
501-1546	35000	5076	22500	3263	35000	5076	250	66.05	16000	2321	22000	3191	20	5.28	1.4 @ 250 L/min	2.4 @ 250 L/min	
501-9641	35000	5076	22500	3263	35000	5076	250	66.05	16000	2321	22000	3191	20	5.28	1.4 @ 250 L/min	2.4 @ 250 L/min	
CTV40	591-6851	35000	5076	22500	3263	35000	5076	300	79.26	14000	2031	22000	3191	40	10.57	1.6 @ 300 L/min	2.8 @ 300 L/min
	390-7459	35000	5076	22500	3263	35000	5076	300	79.26	14000	2031	22000	3191	40	10.57	1.6 @ 300 L/min	2.8 @ 300 L/min
	591-6853	35000	5076	22500	3263	35000	5076	300	79.26	14000	2031	22000	3191	40	10.57	1.6 @ 300 L/min	2.8 @ 300 L/min
	591-6855	35000	5076	22500	3263	35000	5076	300	79.26	14000	2031	22000	3191	40	10.57	1.6 @ 300 L/min	2.8 @ 300 L/min
	591-6856	35000	5076	22500	3263	35000	5076	300	79.26	14000	2031	22000	3191	40	10.57	1.6 @ 300 L/min	2.8 @ 300 L/min
	468-2557	35000	5076	22500	3263	35000	5076	300	79.26	14000	2031	22000	3191	40	10.57	1.6 @ 300 L/min	2.8 @ 300 L/min
	517-6726	35000	5076	22500	3263	35000	5076	300	79.26	14000	2031	22000	3191	40	10.57	1.6 @ 300 L/min	2.8 @ 300 L/min
	494-0327	35000	5076	22500	3263	35000	5076	300	79.26	14000	2031	22000	3191	40	10.57	1.6 @ 300 L/min	2.8 @ 300 L/min
	501-1547	35000	5076	22500	3263	35000	5076	300	79.26	14000	2031	22000	3191	40	10.57	1.6 @ 300 L/min	2.8 @ 300 L/min
	494-0328	35000	5076	22500	3263	35000	5076	300	79.26	14000	2031	22000	3191	40	10.57	1.6 @ 300 L/min	2.8 @ 300 L/min

Clamshell Grapples Technical Specifications

Matching – Tracked Excavators

All Clamshell Grapples are Pin-on only.

1800 kg/m³ (3000 lb/yd³)

1200 kg/m³ (2000 lb/yd³)

900 kg/m³ (1500 lb/yd³)

No Match

320D2

Undercarriage	L	
Counterweight	—	
Boom Type	Reach HD	
Stick Length	2.50 m HD (8'2")	2.92 m HD (9'7")
Clamshell Grapples	CTV15-1000	<input type="checkbox"/> <input type="checkbox"/>

320F

Undercarriage	L			
Counterweight	—			
Boom Type	Reach		VA	
Stick Length	2.50 m HD (8'2")	2.92 m HD (9'7")	2.50 m HD (8'2")	2.92 m HD (9'7")
Clamshell Grapples	CTV15-1000	<input type="checkbox"/> <input type="checkbox"/>	<input type="checkbox"/> <input type="checkbox"/>	
Clamshell Grapples	CTV15-1200	<input type="checkbox"/>		

320 GC

Undercarriage	—		L		L		MID	
Counterweight	4.2 mt		3.7 mt		4.2 mt		3.7 mt	
Boom Type	Reach		Reach		Reach		Reach	
Stick Length	2.50 m (8'2")	2.92 m (9'7")	2.50 m (8'2")	2.92 m (9'7")	2.50 m (8'2")	2.92 m (9'7")	2.50 m HD (8'2")	2.92 m HD (9'7")
Clamshell Grapples	CTV15-1000	<input type="checkbox"/> <input type="checkbox"/>	<input type="checkbox"/> <input type="checkbox"/>	<input type="checkbox"/> <input type="checkbox"/>	<input checked="" type="checkbox"/> <input type="checkbox"/>	<input type="checkbox"/> <input type="checkbox"/>	<input type="checkbox"/> <input type="checkbox"/>	<input type="checkbox"/>
Clamshell Grapples	CTV15-1200		<input type="checkbox"/>		<input type="checkbox"/>	<input type="checkbox"/>	<input type="checkbox"/>	

320 GC (continued)

Undercarriage	LN	LN	
Counterweight	3.9 mt	4.55 mt	
Boom Type	Reach	Reach	
Stick Length	2.50 m (8'2")	2.50 m (8'2")	2.92 m (9'7")
Clamshell Grapples	CTV15-1000	<input type="checkbox"/> <input type="checkbox"/>	<input type="checkbox"/>
Clamshell Grapples	CTV15-1200		<input type="checkbox"/>

320

Undercarriage	L				L			
Counterweight	3.7 mt				4.2 mt			
Boom Type	Reach HD		Reach HD		Reach		VA	
Stick Length	2.50 m HD (8'2")	2.92 m HD (9'7")	2.50 m HD (8'2")	2.92 m HD (9'7")	2.50 m (8'2")	2.92 m (9'7")	2.50 m (8'2")	2.92 m (9'7")
Clamshell Grapples	CTV15-1000	<input type="checkbox"/> <input type="checkbox"/>	<input type="checkbox"/> <input type="checkbox"/>	<input type="checkbox"/> <input type="checkbox"/>	<input type="checkbox"/> <input type="checkbox"/>	<input type="checkbox"/> <input type="checkbox"/>	<input type="checkbox"/> <input type="checkbox"/>	<input type="checkbox"/>
Clamshell Grapples	CTV15-1200		<input type="checkbox"/>		<input type="checkbox"/>	<input type="checkbox"/>		

(continued on next page)

Clamshell Grapples Technical Specifications

Matching – Tracked Excavators *(continued)*

All Clamshell Grapples are Pin-on only.

1800 kg/m³ (3000 lb/yd³)

1200 kg/m³ (2000 lb/yd³)

900 kg/m³ (1500 lb/yd³)

No Match

323D2

Undercarriage		L		
Counterweight		—		
Boom Type		Reach HD		ME
Stick Length		2.50 m HD (8'2")	2.92 m HD (9'7")	2.40 m (7'10")
Clamshell Grapples	CTV15-1000	<input type="checkbox"/>	<input type="checkbox"/>	<input checked="" type="checkbox"/>
Clamshell Grapples	CTV15-1200	<input type="checkbox"/>		<input checked="" type="checkbox"/>
Clamshell Grapples	CTV15-1500			<input type="checkbox"/>
Clamshell Grapples	CTV15-1700			<input type="checkbox"/>

323F

Undercarriage		L							
Counterweight		—				5.35 mt			
Boom Type		Reach		VA		Reach		VA	
Stick Length		2.50 m HD (8'2")	2.92 m HD (9'7")	2.50 m HD (8'2")	2.92 m HD (9'7")	2.50 m HD (8'2")	2.92 m HD (9'7")	2.50 m HD (8'2")	2.92 m HD (9'7")
Clamshell Grapples	CTV15-1000	<input checked="" type="checkbox"/>	<input checked="" type="checkbox"/>	<input type="checkbox"/>	<input type="checkbox"/>	<input checked="" type="checkbox"/>	<input checked="" type="checkbox"/>	<input checked="" type="checkbox"/>	<input checked="" type="checkbox"/>
Clamshell Grapples	CTV15-1200	<input type="checkbox"/>	<input type="checkbox"/>	<input type="checkbox"/>	<input type="checkbox"/>	<input checked="" type="checkbox"/>	<input checked="" type="checkbox"/>	<input checked="" type="checkbox"/>	<input type="checkbox"/>
Clamshell Grapples	CTV15-1500	<input type="checkbox"/>				<input type="checkbox"/>	<input type="checkbox"/>	<input type="checkbox"/>	<input type="checkbox"/>
Clamshell Grapples	CTV15-1700					<input type="checkbox"/>	<input type="checkbox"/>		

323F *(continued)*

Undercarriage		LN	
Counterweight		—	
Boom Type		Reach	
Stick Length		2.50 m HD (8'2")	2.92 m HD (9'7")
Clamshell Grapples	CTV15-1000	<input type="checkbox"/>	<input type="checkbox"/>
Clamshell Grapples	CTV15-1200		
Clamshell Grapples	CTV15-1500		
Clamshell Grapples	CTV15-1700		

323 GC

Undercarriage		L	
Counterweight		4.7 mt	
Boom Type		Reach	
Stick Length		2.50 m (8'2")	2.92 m (9'7")
Clamshell Grapples	CTV15-1000	<input checked="" type="checkbox"/>	<input checked="" type="checkbox"/>
Clamshell Grapples	CTV15-1200	<input type="checkbox"/>	<input type="checkbox"/>
Clamshell Grapples	CTV15-1500	<input type="checkbox"/>	

(continued on next page)

Clamshell Grapples Technical Specifications

Matching – Tracked Excavators *(continued)*

All Clamshell Grapples are Pin-on only.

1800 kg/m³ (3000 lb/yd³)
 1200 kg/m³ (2000 lb/yd³)
 900 kg/m³ (1500 lb/yd³)
 No Match

323

Undercarriage		L					
Counterweight		4.2 mt					
Boom Type		Reach		Reach HD		VA	
Stick Length		2.50 m (8'2")	2.92 m (9'7")	2.50 m HD (8'2")	2.92 m HD (9'7")	2.50 m (8'2")	2.92 m (9'7")
Clamshell Grapples	CTV15-1000	●	○	○	○	○	○
Clamshell Grapples	CTV15-1200	○	○	○	○		
Clamshell Grapples	CTV15-1500						
Clamshell Grapples	CTV15-1700						

323 *(continued)*

Undercarriage		L					
Counterweight		5.4 mt					
Boom Type		Reach		Reach HD		VA	
Stick Length		2.50 m (8'2")	2.92 m (9'7")	2.50 m HD (8'2")	2.92 m HD (9'7")	2.50 m (8'2")	2.92 m (9'7")
Clamshell Grapples	CTV15-1000	●	●	●	●	●	●
Clamshell Grapples	CTV15-1200	●	●	●	○	○	○
Clamshell Grapples	CTV15-1500	○	○	○	○	○	
Clamshell Grapples	CTV15-1700	○	○	○			

323 N

Undercarriage		LN			SA		
Counterweight		4.5 mt			4.5 mt		
Boom Type		Reach		VA	Reach		VA
Stick Length		2.50 m (8'2")	2.92 m (9'7")	2.50 m (8'2")	2.50 m (8'2")	2.92 m (9'7")	2.50 m (8'2")
Clamshell Grapples	CTV15-1000	○	○	○	○	○	○
Clamshell Grapples	CTV15-1200	○			○		

325F CR

Undercarriage		L	
Counterweight		—	
Boom Type		Reach	VA
Stick Length		2.92 m HD (9'7")	2.92 m HD (9'7")
Clamshell Grapples	CTV15-1000	○	○
Clamshell Grapples	CTV15-1200	○	

(continued on next page)

Clamshell Grapples Technical Specifications

Matching – Tracked Excavators *(continued)*

All Clamshell Grapples are Pin-on only.

1800 kg/m³ (3000 lb/yd³)

1200 kg/m³ (2000 lb/yd³)

900 kg/m³ (1500 lb/yd³)

No Match

325

Undercarriage		L				
Counterweight		6.7 mt				
Boom Type		Reach		Reach HD		VA
Stick Length		2.92 m (9'7")	2.92 m HD (9'7")	2.92 m (9'7")	2.92 m HD (9'7")	2.92 m (9'7")
Clamshell Grapples	CTV15-1000	●	○	●	○	○
Clamshell Grapples	CTV15-1200	○	○	○	○	
Clamshell Grapples	CTV15-1500					

325 *(continued)*

Undercarriage		L				
Counterweight		8.3 mt				
Boom Type		Reach		Reach HD		VA
Stick Length		2.92 m (9'7")	2.92 m HD (9'7")	2.92 m (9'7")	2.92 m HD (9'7")	2.92 m (9'7")
Clamshell Grapples	CTV15-1000	●	●	●	●	●
Clamshell Grapples	CTV15-1200	●	○	●	○	○
Clamshell Grapples	CTV15-1500	○	○	○	○	

325 *(continued)*

Undercarriage		L with Blade (up)				
Counterweight		4.9 mt				
Boom Type		Reach		Reach HD		VA
Stick Length		2.92 m (9'7")	2.92 m HD (9'7")	2.92 m (9'7")	2.92 m HD (9'7")	2.92 m (9'7")
Clamshell Grapples	CTV15-1000	○	○	○	○	○
Clamshell Grapples	CTV15-1200	○				
Clamshell Grapples	CTV15-1500					

326D2

Undercarriage		L	
Counterweight		—	
Boom Type		Reach	Reach HD
Stick Length		2.50 m (8'2")	2.95 m HD (9'8")
Clamshell Grapples	CTV15-1000	●	●
Clamshell Grapples	CTV15-1200	●	○
Clamshell Grapples	CTV15-1500	○	○
Clamshell Grapples	CTV15-1700	○	
Clamshell Grapples	CTV20-1300	○	○
Clamshell Grapples	CTV20-1500	○	

(continued on next page)

Clamshell Grapples Technical Specifications

Matching – Tracked Excavators *(continued)*

All Clamshell Grapples are Pin-on only.

1800 kg/m³ (3000 lb/yd³)
 1200 kg/m³ (2000 lb/yd³)
 900 kg/m³ (1500 lb/yd³)
 No Match

326F

Undercarriage		L				LN			
Counterweight		—							
Boom Type		Reach HD		VA		Reach HD		VA	
Stick Length		2.50 m HD (8'2")	2.95 m HD (9'8")	2.50 m HD (8'2")	2.95 m HD (9'8")	2.50 m HD (8'2")	2.95 m HD (9'8")	2.50 m HD (8'2")	2.95 m HD (9'8")
Clamshell Grapples	CTV15-1000	●	●	●	●	●	●	●	○
Clamshell Grapples	CTV15-1200	●	●	●	○	●	○	○	○
Clamshell Grapples	CTV15-1500	○	○	○	○	○			
Clamshell Grapples	CTV15-1700	○				○			
Clamshell Grapples	CTV20-1300	○	○	○		○			
Clamshell Grapples	CTV20-1500	○							

326

Undercarriage		L					
Counterweight		4.6 mt					
Boom Type		Reach HD	Reach		Reach HD	VA	
Stick Length		2.95 m HD (9'8")	2.50 m (8'2")	2.95 m (9'8")	2.95 m HD (9'8")	2.50 m (8'2")	2.95 m (9'8")
Clamshell Grapples	CTV15-1000	●	●	●	●	●	●
Clamshell Grapples	CTV15-1200	●	●	●	●	●	○
Clamshell Grapples	CTV15-1500	○	○	○	○	○	○
Clamshell Grapples	CTV15-1700		○	○	○	○	
Clamshell Grapples	CTV15-1900		○				
Clamshell Grapples	CTV20-1300	○	○	○	○	○	○
Clamshell Grapples	CTV20-1500		○	○		○	
Clamshell Grapples	CTV20-1700						

326 *(continued)*

Undercarriage		LN				
Counterweight		4.6 mt				
Boom Type		Reach		Reach HD	VA	
Stick Length		2.50 m (8'2")	2.95 m (9'8")	2.95 m HD (9'8")	2.50 m (8'2")	2.95 m (9'8")
Clamshell Grapples	CTV15-1000	●	●	●	●	●
Clamshell Grapples	CTV15-1200	●	○	○	○	○
Clamshell Grapples	CTV15-1500	○	○	○	○	
Clamshell Grapples	CTV15-1700					
Clamshell Grapples	CTV15-1900					
Clamshell Grapples	CTV20-1300	○	○		○	
Clamshell Grapples	CTV20-1500					
Clamshell Grapples	CTV20-1700					

(continued on next page)

Clamshell Grapples Technical Specifications

Matching – Tracked Excavators *(continued)*

All Clamshell Grapples are Pin-on only.

1800 kg/m³ (3000 lb/yd³)

1200 kg/m³ (2000 lb/yd³)

900 kg/m³ (1500 lb/yd³)

No Match

326 *(continued)*

Undercarriage		L		
Counterweight		4.6 mt		
Boom Type		Reach HD		
Stick Length		2.50 m (8'2")	2.95 m HD (9'8")	2.95 m ES (9'8")
Clamshell Grapples	CTV15-1000	●	●	●
Clamshell Grapples	CTV15-1200	●	●	●
Clamshell Grapples	CTV15-1500	○	○	○
Clamshell Grapples	CTV15-1700	○	○	○
Clamshell Grapples	CTV15-1900	○		
Clamshell Grapples	CTV20-1300	○	○	○
Clamshell Grapples	CTV20-1500	○	○	○
Clamshell Grapples	CTV20-1700	○		

326 *(continued)*

Undercarriage		L					
Counterweight		4.6 mt					
Boom Type		Reach		Reach HD		VA	
Stick Length		2.50 m (8'2")	2.95 m (9'8")	2.95 m HD (9'8")	2.95 m ES (9'8")	2.50 m (8'2")	2.95 m (9'8")
Clamshell Grapples	CTV15-1000	●	●	●	●	●	●
Clamshell Grapples	CTV15-1200	●	●	●	●	●	●
Clamshell Grapples	CTV15-1500	○	○	○	○	○	○
Clamshell Grapples	CTV15-1700	○	○	○	○	○	○
Clamshell Grapples	CTV15-1900	○					
Clamshell Grapples	CTV20-1300	○	○	○	○	○	○
Clamshell Grapples	CTV20-1500	○	○	○	○	○	
Clamshell Grapples	CTV20-1700	○					

326 *(continued)*

Undercarriage		LN					
Counterweight		4.6 mt					
Boom Type		Reach		Reach HD		VA	
Stick Length		2.50 m (8'2")	2.95 m (9'8")	2.95 m HD (9'8")	2.95 m ES (9'8")	2.50 m (8'2")	2.95 m (9'8")
Clamshell Grapples	CTV15-1000	●	●	●	●	●	●
Clamshell Grapples	CTV15-1200	●	○	○	○	○	○
Clamshell Grapples	CTV15-1500	○	○	○	○	○	
Clamshell Grapples	CTV15-1700	○					
Clamshell Grapples	CTV15-1900						
Clamshell Grapples	CTV20-1300	○	○			○	
Clamshell Grapples	CTV20-1500	○					
Clamshell Grapples	CTV20-1700						

(continued on next page)

Clamshell Grapples Technical Specifications

Matching – Tracked Excavators *(continued)*

All Clamshell Grapples are Pin-on only.

1800 kg/m³ (3000 lb/yd³)

1200 kg/m³ (2000 lb/yd³)

900 kg/m³ (1500 lb/yd³)

No Match

330D2

Undercarriage		L			
Counterweight		—			
Boom Type		Reach	Reach HD		ME
Stick Length		2.65 m (8'8")	2.65 m HD (8'8")	3.20 m HD (10'6")	2.50 m (8'2")
Clamshell Grapples	CTV15-1000	●	●	●	
Clamshell Grapples	CTV15-1200	●	●	●	
Clamshell Grapples	CTV15-1500	○	○	○	
Clamshell Grapples	CTV15-1700	○	○		
Clamshell Grapples	CTV15-1900	○	○		
Clamshell Grapples	CTV20-1300	○	○	○	●
Clamshell Grapples	CTV20-1500	○	○		●
Clamshell Grapples	CTV20-1700	○	○		○
Clamshell Grapples	CTV20-1900				○

330F

Undercarriage		L		LN	
Counterweight		—		—	
Boom Type		Reach HD		Reach HD	
Stick Length		2.65 m HD (8'8")	3.20 m HD (10'6")	2.65 m HD (8'8")	3.20 m HD (10'6")
Clamshell Grapples	CTV15-1000	●	●	●	●
Clamshell Grapples	CTV15-1200	●	●	●	●
Clamshell Grapples	CTV15-1500	●	○	○	○
Clamshell Grapples	CTV15-1700	○	○	○	○
Clamshell Grapples	CTV15-1900	○	○	○	
Clamshell Grapples	CTV15-2300				
Clamshell Grapples	CTV20-1300	●	○	○	○
Clamshell Grapples	CTV20-1500	○	○	○	○
Clamshell Grapples	CTV20-1700	○	○	○	
Clamshell Grapples	CTV20-1900	○			

(continued on next page)

Clamshell Grapples Technical Specifications

Matching – Tracked Excavators *(continued)*

All Clamshell Grapples are Pin-on only.

1800 kg/m³ (3000 lb/yd³)

1200 kg/m³ (2000 lb/yd³)

900 kg/m³ (1500 lb/yd³)

No Match

330 GC

Undercarriage		—					
Counterweight		5.8 mt			6.7 mt		
Boom Type		Reach		ME	Reach		ME
Stick Length		2.65 m (8'8")	3.20 m (10'6")	2.50 m (8'2")	2.65 m (8'8")	3.20 m (10'6")	2.50 m (8'2")
Clamshell Grapples	CTV15-1000	●	●		●	●	
Clamshell Grapples	CTV15-1200	●	○		●	●	
Clamshell Grapples	CTV15-1500	○	○		●	○	
Clamshell Grapples	CTV15-1700	○			○	○	
Clamshell Grapples	CTV15-1900				○		
Clamshell Grapples	CTV15-2300						
Clamshell Grapples	CTV20-1300	○	○	●	●	○	●
Clamshell Grapples	CTV20-1500	○		○	○	○	●
Clamshell Grapples	CTV20-1700			○	○		○
Clamshell Grapples	CTV20-1900			○			○
Clamshell Grapples	CTV20-2300						

330 GC *(continued)*

Undercarriage		L				LN	
Counterweight		6.7 mt				6.7 mt	
Boom Type		ME	Reach			Reach	
Stick Length		2.50 m (8'2")	2.65 m (8'8")	3.20 m (10'6")	3.75 m (12'4")	2.65 m (8'8")	3.20 m (10'6")
Clamshell Grapples	CTV15-1000		●	●		●	●
Clamshell Grapples	CTV15-1200		●	●		●	●
Clamshell Grapples	CTV15-1500		●	●		●	○
Clamshell Grapples	CTV15-1700		●	○		○	○
Clamshell Grapples	CTV15-1900		○	○		○	○
Clamshell Grapples	CTV15-2300		○				
Clamshell Grapples	CTV20-1300	●	●	●		●	○
Clamshell Grapples	CTV20-1500	●	●	○	○	○	○
Clamshell Grapples	CTV20-1700	●	○	○		○	○
Clamshell Grapples	CTV20-1900	○	○	○		○	
Clamshell Grapples	CTV20-2300	○					

(continued on next page)

Clamshell Grapples Technical Specifications

Matching – Tracked Excavators *(continued)*

All Clamshell Grapples are Pin-on only.

1800 kg/m³ (3000 lb/yd³)
 1200 kg/m³ (2000 lb/yd³)
 900 kg/m³ (1500 lb/yd³)
 No Match

330		L						LN	
Undercarriage		6.7 mt						6.7 mt	
Counterweight		Reach HD		ME	Reach			Reach	
Boom Type		2.65 m HD (8'8")	3.20 m HD (10'6")	2.50 m (8'2")	2.65 m (8'8")	3.20 m (10'6")	3.75 m (12'4")	2.65 m (8'8")	3.20 m (10'6")
Stick Length		2.65 m HD (8'8")	3.20 m HD (10'6")	2.50 m (8'2")	2.65 m (8'8")	3.20 m (10'6")	3.75 m (12'4")	2.65 m (8'8")	3.20 m (10'6")
Clamshell Grapples	CTV15-1000	●	●		●	●		●	●
Clamshell Grapples	CTV15-1200	●	●		●	●		●	●
Clamshell Grapples	CTV15-1500	●	○		●	●		●	○
Clamshell Grapples	CTV15-1700	○	○		●	○		○	○
Clamshell Grapples	CTV15-1900	○	○		○	○		○	○
Clamshell Grapples	CTV15-2300				○				
Clamshell Grapples	CTV20-1300	●	●	●	●	●		●	○
Clamshell Grapples	CTV20-1500	●	○	●	●	○	○	○	○
Clamshell Grapples	CTV20-1700	○	○	●	○	○		○	○
Clamshell Grapples	CTV20-1900	○		○	○	○		○	
Clamshell Grapples	CTV20-2300			○					

333		L				
Undercarriage		7.7 mt				
Counterweight		Reach		Reach HD		ME
Boom Type		2.80 m (9'2")	3.20 m (10'6")	2.80 m HD (9'2")	3.20 m HD (10'6")	2.50 m (8'2")
Stick Length		2.80 m (9'2")	3.20 m (10'6")	2.80 m HD (9'2")	3.20 m HD (10'6")	2.50 m (8'2")
Clamshell Grapples	CTV20-1300	●	●	●	●	●
Clamshell Grapples	CTV20-1500	●	●	●	●	●
Clamshell Grapples	CTV20-1700	●	○	●	○	●
Clamshell Grapples	CTV20-1900	○	○	○	○	●
Clamshell Grapples	CTV20-2300	○	○	○	○	○
Clamshell Grapples	CTV20-2700					○
Clamshell Grapples	CTV30-1700	○	○	○	○	●
Clamshell Grapples	CTV30-1900	○	○	○	○	●
Clamshell Grapples	CTV30-2300					○
Clamshell Grapples	CTV30-2700					○

(continued on next page)

Clamshell Grapples Technical Specifications

Matching – Tracked Excavators *(continued)*

All Clamshell Grapples are Pin-on only.

1800 kg/m³ (3000 lb/yd³)

1200 kg/m³ (2000 lb/yd³)

900 kg/m³ (1500 lb/yd³)

No Match

335F CR

Undercarriage		L	
Counterweight		—	
Boom Type		Reach HD	
Stick Length		2.65 m HD (8'8")	3.20 m HD (10'6")
Clamshell Grapples	CTV15-1000	●	●
Clamshell Grapples	CTV15-1200	●	●
Clamshell Grapples	CTV15-1500	●	○
Clamshell Grapples	CTV15-1700	○	○
Clamshell Grapples	CTV15-1900	○	○
Clamshell Grapples	CTV15-2300		
Clamshell Grapples	CTV20-1300	●	●
Clamshell Grapples	CTV20-1500	○	○
Clamshell Grapples	CTV20-1700	○	○
Clamshell Grapples	CTV20-1900	○	

335

Undercarriage		L			
Counterweight		7.7 mt		7.7 mt/Stage V	
Boom Type		Reach		Reach	
Stick Length		3.20 m (10'6")	3.75 m (12'4")	3.20 m (10'6")	3.75 m (12'4")
Clamshell Grapples	CTV15-1000			●	●
Clamshell Grapples	CTV15-1200			●	●
Clamshell Grapples	CTV15-1500			●	○
Clamshell Grapples	CTV15-1700			○	○
Clamshell Grapples	CTV15-1900	○		○	
Clamshell Grapples	CTV20-1300			●	○
Clamshell Grapples	CTV20-1500	○	○	○	○
Clamshell Grapples	CTV20-1700			○	
Clamshell Grapples	CTV20-1900			○	

335 *(continued)*

Undercarriage		L with Blade (up)				
Counterweight		5.0 mt/Stage V		5.0 mt	5.0 mt/Stage V	
Boom Type		Reach		Reach	Reach	
Stick Length		3.20 m (10'6")	3.75 m (12'4")	3.20 m (10'6")	3.20 m (10'6")	3.75 m (12'4")
Clamshell Grapples	CTV15-1000	●	●		●	●
Clamshell Grapples	CTV15-1200	●	○		●	○
Clamshell Grapples	CTV15-1500	○	○		○	○
Clamshell Grapples	CTV15-1700	○			○	
Clamshell Grapples	CTV15-1900					
Clamshell Grapples	CTV20-1300	○	○		○	○
Clamshell Grapples	CTV20-1500	○		○	○	
Clamshell Grapples	CTV20-1700					
Clamshell Grapples	CTV20-1900					

(continued on next page)

Clamshell Grapples Technical Specifications

Matching – Tracked Excavators *(continued)*

All Clamshell Grapples are Pin-on only.

1800 kg/m³ (3000 lb/yd³)

1200 kg/m³ (2000 lb/yd³)

900 kg/m³ (1500 lb/yd³)

No Match

336D2 GC

Undercarriage	—	
Counterweight	—	
Boom Type	Reach	
Stick Length	2.80 m (9'2")	
Clamshell Grapples	CTV20-1300	<input type="checkbox"/>
Clamshell Grapples	CTV20-1500	<input type="checkbox"/>
Clamshell Grapples	CTV20-1700	<input type="checkbox"/>

336D2

Undercarriage	L			
Counterweight	—			
Boom Type	Reach HD		ME	
Stick Length	3.90 m (12'10")	3.20 m HD (10'6")	2.15 m (7'1")	2.55 m (8'4")
Clamshell Grapples	CTV20-1300	<input checked="" type="checkbox"/>		
Clamshell Grapples	CTV20-1500	<input type="checkbox"/>		
Clamshell Grapples	CTV20-1700	<input type="checkbox"/>		
Clamshell Grapples	CTV30-1700		<input type="checkbox"/>	<input type="checkbox"/>
Clamshell Grapples	CTV30-1900		<input type="checkbox"/>	<input type="checkbox"/>

336F

Undercarriage	L							
Counterweight	6.0 mt				7.0 mt			
Boom Type	Reach HD		Reach ES		Reach HD			ME
Stick Length	3.20 m HD (10'6")	3.90 m HD (12'10")	3.20 m ES (10'6")	3.90 m ES (12'10")	2.80 m HD (9'2")	3.20 m HD (10'6")	3.90 m HD (12'10")	2.55 m (8'4")
Clamshell Grapples	CTV20-1300				<input checked="" type="checkbox"/>	<input checked="" type="checkbox"/>	<input checked="" type="checkbox"/>	
Clamshell Grapples	CTV20-1500	<input checked="" type="checkbox"/>	<input type="checkbox"/>	<input checked="" type="checkbox"/>	<input type="checkbox"/>	<input checked="" type="checkbox"/>	<input type="checkbox"/>	
Clamshell Grapples	CTV20-1700				<input checked="" type="checkbox"/>	<input checked="" type="checkbox"/>	<input type="checkbox"/>	
Clamshell Grapples	CTV20-1900				<input type="checkbox"/>	<input type="checkbox"/>	<input type="checkbox"/>	
Clamshell Grapples	CTV20-2300		<input type="checkbox"/>		<input type="checkbox"/>	<input type="checkbox"/>		
Clamshell Grapples	CTV20-2700							
Clamshell Grapples	CTV30-1700				<input type="checkbox"/>	<input type="checkbox"/>		<input checked="" type="checkbox"/>
Clamshell Grapples	CTV30-1900		<input type="checkbox"/>		<input type="checkbox"/>	<input type="checkbox"/>		<input type="checkbox"/>
Clamshell Grapples	CTV30-2300							<input type="checkbox"/>

(continued on next page)

Clamshell Grapples Technical Specifications

Matching – Tracked Excavators *(continued)*

All Clamshell Grapples are Pin-on only.

● 1800 kg/m³ (3000 lb/yd³)

○ 1200 kg/m³ (2000 lb/yd³)

◇ 900 kg/m³ (1500 lb/yd³)

□ No Match

336F *(continued)*

Undercarriage		L			LN				
Counterweight		8.45 mt			7.0 mt			8.45 mt	
Boom Type		Straight			Reach HD		ME	Straight	
Stick Length		3.20 m HD (10'6")	3.90 m HD (12'10")	2.80 m HD (9'2")	3.20 m HD (10'6")	3.90 m HD (12'10")	2.55 m (8'4")	3.20 m HD (10'6")	3.90 m HD (12'10")
Clamshell Grapples	CTV20-1300	●	●	●	●	●		●	●
Clamshell Grapples	CTV20-1500	●	●	●	●	○		●	○
Clamshell Grapples	CTV20-1700	●	●	○	○	○		○	○
Clamshell Grapples	CTV20-1900	●	○	○	○			○	○
Clamshell Grapples	CTV20-2300	○	○						
Clamshell Grapples	CTV20-2700	○							
Clamshell Grapples	CTV30-1700	●	○	○	○		○	○	
Clamshell Grapples	CTV30-1900	○	○	○			○		
Clamshell Grapples	CTV30-2300	○							

336F XE

Undercarriage		L							
Counterweight		5.05 mt			6.05 mt				
Boom Type		Reach HD		Reach ES		Reach HD		ME	
Stick Length		3.20 m HD (10'6")	3.90 m HD (12'10")	3.20 m ES (10'6")	3.90 m ES (12'10")	2.80 m HD (9'2")	3.20 m HD (10'6")	3.90 m HD (12'10")	2.55 m (8'4")
Clamshell Grapples	CTV20-1300					●	●	●	
Clamshell Grapples	CTV20-1500	●	○	●	○	●	●	○	
Clamshell Grapples	CTV20-1700					●	●	○	
Clamshell Grapples	CTV20-1900					○	○	○	
Clamshell Grapples	CTV20-2300			○		○	○		
Clamshell Grapples	CTV30-1700					○	○		●
Clamshell Grapples	CTV30-1900			○		○	○		○
Clamshell Grapples	CTV30-2300								○

336F XE *(continued)*

Undercarriage		LN			
Counterweight		6.05 mt			
Boom Type		Reach HD			ME
Stick Length		2.80 m HD (9'2")	3.20 m HD (10'6")	3.90 m HD (12'10")	2.55 m (8'4")
Clamshell Grapples	CTV20-1300	●	●	●	
Clamshell Grapples	CTV20-1500	●	●	○	
Clamshell Grapples	CTV20-1700	○	○	○	
Clamshell Grapples	CTV20-1900	○	○		
Clamshell Grapples	CTV20-2300				
Clamshell Grapples	CTV30-1700	○	○		○
Clamshell Grapples	CTV30-1900	○			○
Clamshell Grapples	CTV30-2300				

(continued on next page)

Clamshell Grapples Technical Specifications

Matching – Tracked Excavators *(continued)*

All Clamshell Grapples are Pin-on only.

1800 kg/m³ (3000 lb/yd³)
 1200 kg/m³ (2000 lb/yd³)
 900 kg/m³ (1500 lb/yd³)
 No Match

336 GC

Undercarriage		—			
Counterweight		6.8 mt			
Boom Type		ME	Reach		
Stick Length		2.55 m (8'4")	2.80 m (9'2")	3.20 m (10'6")	3.90 m (12'10")
Clamshell Grapples	CTV20-1300		●	●	
Clamshell Grapples	CTV20-1500		●	○	○
Clamshell Grapples	CTV20-1700		○	○	
Clamshell Grapples	CTV20-1900		○	○	
Clamshell Grapples	CTV20-2300				
Clamshell Grapples	CTV20-2700				
Clamshell Grapples	CTV30-1700	○	○		
Clamshell Grapples	CTV30-1900	○			

336 GC *(continued)*

Undercarriage		L			
Counterweight		6.8 mt			
Boom Type		Reach			ME
Stick Length		2.80 m (9'2")	3.20 m (10'6")	3.90 m (12'10")	2.55 m (8'4")
Clamshell Grapples	CTV20-1300	●	●		
Clamshell Grapples	CTV20-1500	●	○	○	
Clamshell Grapples	CTV20-1700	○	○		
Clamshell Grapples	CTV20-1900	○	○		
Clamshell Grapples	CTV20-2300	○			
Clamshell Grapples	CTV20-2700				
Clamshell Grapples	CTV30-1700	○	○		○
Clamshell Grapples	CTV30-1900	○			○

336 GC *(continued)*

Undercarriage		LN		
Counterweight		6.8 mt		
Boom Type		Reach		ME
Stick Length		2.80 m (9'2")	3.20 m (10'6")	2.55 m (8'4")
Clamshell Grapples	CTV20-1300	●	●	
Clamshell Grapples	CTV20-1500	●	○	
Clamshell Grapples	CTV20-1700	○	○	
Clamshell Grapples	CTV20-1900	○	○	
Clamshell Grapples	CTV20-2300			
Clamshell Grapples	CTV20-2700			
Clamshell Grapples	CTV30-1700	○		○
Clamshell Grapples	CTV30-1900			

(continued on next page)

Clamshell Grapples Technical Specifications

Matching – Tracked Excavators *(continued)*

All Clamshell Grapples are Pin-on only.

1800 kg/m³ (3000 lb/yd³)

1200 kg/m³ (2000 lb/yd³)

900 kg/m³ (1500 lb/yd³)

No Match

336

Undercarriage		L	
Counterweight		6.8 mt	
Boom Type		Reach HD	ME
Stick Length		3.20 m HD (10'6")	2.55 m (8'4")
Clamshell Grapples	CTV20-1300	●	
Clamshell Grapples	CTV20-1500	●	
Clamshell Grapples	CTV20-1700	○	
Clamshell Grapples	CTV20-1900	○	
Clamshell Grapples	CTV20-2300		
Clamshell Grapples	CTV20-2700		
Clamshell Grapples	CTV30-1700	○	○
Clamshell Grapples	CTV30-1900		○
Clamshell Grapples	CTV30-2300		

336 *(continued)*

Undercarriage		L					
Counterweight		7.5 mt					
Boom Type		Reach			Reach HD		ME
Stick Length		2.80 m (9'2")	3.20 m (10'6")	3.90 m (12'10")	3.20 m HD (10'6")	3.90 m HD (12'10")	2.55 m (8'4")
Clamshell Grapples	CTV20-1300	●	●	●	●		
Clamshell Grapples	CTV20-1500	●	●	○	●	○	
Clamshell Grapples	CTV20-1700	●	●	○	○		
Clamshell Grapples	CTV20-1900	○	○	○	○		
Clamshell Grapples	CTV20-2300	○	○		○		
Clamshell Grapples	CTV20-2700						
Clamshell Grapples	CTV30-1700	○	○		○		●
Clamshell Grapples	CTV30-1900	○	○		○		○
Clamshell Grapples	CTV30-2300						○

(continued on next page)

Clamshell Grapples Technical Specifications

Matching – Tracked Excavators *(continued)*

All Clamshell Grapples are Pin-on only.

1800 kg/m³ (3000 lb/yd³)
 1200 kg/m³ (2000 lb/yd³)
 900 kg/m³ (1500 lb/yd³)
 No Match

336 *(continued)*

Undercarriage		L		
Counterweight		6.8 mt		
Boom Type		Reach		ME
Stick Length		3.20 m (10'6")	3.90 m (12'10")	2.55 m (8'4")
Clamshell Grapples	CTV20-1300			
Clamshell Grapples	CTV20-1500	●	○	
Clamshell Grapples	CTV20-1700			
Clamshell Grapples	CTV20-1900			
Clamshell Grapples	CTV20-2300			
Clamshell Grapples	CTV20-2700			
Clamshell Grapples	CTV30-1700			
Clamshell Grapples	CTV30-1900			○
Clamshell Grapples	CTV30-2300			

336 *(continued)*

Undercarriage		LN					
Counterweight		7.5 mt					
Boom Type		Reach			Reach HD		ME
Stick Length		2.80 m (9'2")	3.20 m (10'6")	3.90 m (12'10")	3.20 m HD (10'6")	3.90 m HD (12'10")	2.55 m (8'4")
Clamshell Grapples	CTV20-1300	●	●	●	●	●	
Clamshell Grapples	CTV20-1500	●	●	○	●	○	
Clamshell Grapples	CTV20-1700	●	○	○	○	○	
Clamshell Grapples	CTV20-1900	○	○	○	○		
Clamshell Grapples	CTV20-2300	○					
Clamshell Grapples	CTV20-2700						
Clamshell Grapples	CTV30-1700	○	○		○		○
Clamshell Grapples	CTV30-1900	○					○
Clamshell Grapples	CTV30-2300						

336 *(continued)*

Undercarriage		L					
Counterweight		6.8 mt			7.5 mt		
Boom Type		Reach			Reach		
Stick Length		2.80 m (9'2")	3.20 m (10'6")	3.90 m (12'10")	2.80 m (9'2")	3.20 m (10'6")	3.90 m (12'10")
Clamshell Grapples	CTV20-1300	●	●	○	●	●	●
Clamshell Grapples	CTV20-1500	●	●	○	●	●	○
Clamshell Grapples	CTV20-1700	○	○	○	●	○	○
Clamshell Grapples	CTV20-1900	○	○		○	○	○
Clamshell Grapples	CTV20-2300	○			○	○	
Clamshell Grapples	CTV20-2700						
Clamshell Grapples	CTV30-1700	○	○		○	○	
Clamshell Grapples	CTV30-1900	○			○	○	
Clamshell Grapples	CTV30-2300						

(continued on next page)

Clamshell Grapples Technical Specifications

Matching – Tracked Excavators *(continued)*

All Clamshell Grapples are Pin-on only.

1800 kg/m³ (3000 lb/yd³)

1200 kg/m³ (2000 lb/yd³)

900 kg/m³ (1500 lb/yd³)

No Match

336 *(continued)*

Undercarriage		LN					
Counterweight		6.8 mt			7.5 mt		
Boom Type		Reach			Reach		
Stick Length		2.80 m (9'2")	3.20 m (10'6")	3.90 m (12'10")	2.80 m (9'2")	3.20 m (10'6")	3.90 m (12'10")
Clamshell Grapples	CTV20-1300	●	●	○	●	●	○
Clamshell Grapples	CTV20-1500	○	○	○	●	●	○
Clamshell Grapples	CTV20-1700	○	○		○	○	○
Clamshell Grapples	CTV20-1900	○			○	○	
Clamshell Grapples	CTV20-2300						
Clamshell Grapples	CTV20-2700						
Clamshell Grapples	CTV30-1700				○	○	
Clamshell Grapples	CTV30-1900						
Clamshell Grapples	CTV30-2300						

336 *(continued)*

Undercarriage		LW					
Counterweight		6.8 mt					
Boom Type		Reach			Reach HD		
Stick Length		2.80 m (9'2")	3.20 m (10'6")	3.90 m (12'10")	2.80 m HD (9'2")	3.20 m HD (10'6")	3.90 m HD (12'10")
Clamshell Grapples	CTV20-1300	●	●	●	●	●	●
Clamshell Grapples	CTV20-1500	●	●	○	●	●	○
Clamshell Grapples	CTV20-1700	●	○	○	●	○	○
Clamshell Grapples	CTV20-1900	○	○	○	○	○	
Clamshell Grapples	CTV20-2300	○			○		
Clamshell Grapples	CTV20-2700						
Clamshell Grapples	CTV30-1700	○	○		○	○	
Clamshell Grapples	CTV30-1900	○	○		○		
Clamshell Grapples	CTV30-2300						

336 *(continued)*

Undercarriage		LW		
Counterweight		6.8 mt		
Boom Type		Reach		
Stick Length		2.80 m (9'2")	3.20 m (10'6")	3.90 m (12'10")
Clamshell Grapples	CTV20-1300			
Clamshell Grapples	CTV20-1500	●	●	○
Clamshell Grapples	CTV20-1700			
Clamshell Grapples	CTV20-1900			
Clamshell Grapples	CTV20-2300	○		
Clamshell Grapples	CTV20-2700			
Clamshell Grapples	CTV30-1700			
Clamshell Grapples	CTV30-1900	○		
Clamshell Grapples	CTV30-2300			

(continued on next page)

Clamshell Grapples Technical Specifications

Matching – Tracked Excavators *(continued)*

All Clamshell Grapples are Pin-on only.

1800 kg/m³ (3000 lb/yd³)
 1200 kg/m³ (2000 lb/yd³)
 900 kg/m³ (1500 lb/yd³)
 No Match

336 *(continued)*

Undercarriage		LW					
Counterweight		7.5 mt					
Boom Type		Reach			Reach HD		
Stick Length		2.80 m (9'2")	3.20 m (10'6")	3.90 m (12'10")	2.80 m HD (9'2")	3.20 m HD (10'6")	3.90 m HD (12'10")
Clamshell Grapples	CTV20-1300	●	●	●	●	●	●
Clamshell Grapples	CTV20-1500	●	●	●	●	●	●
Clamshell Grapples	CTV20-1700	●	●	○	●	●	○
Clamshell Grapples	CTV20-1900	●	○	○	●	○	○
Clamshell Grapples	CTV20-2300	○	○		○	○	
Clamshell Grapples	CTV20-2700						
Clamshell Grapples	CTV30-1700	○	○	○	○	○	○
Clamshell Grapples	CTV30-1900	○	○		○	○	
Clamshell Grapples	CTV30-2300	○					

340D2

Undercarriage		L					
Counterweight		—			8.5 mt		
Boom Type		Reach HD	ME		Reach HD	ME	
Stick Length		3.20 m HD (10'6")	2.15 m (7'1")	2.55 m (8'4")	3.20 m HD (10'6")	2.15 m (7'1")	2.55 m (8'4")
Clamshell Grapples	CTV20-1300	●			●		
Clamshell Grapples	CTV20-1500	●			●		
Clamshell Grapples	CTV20-1700	●			●		
Clamshell Grapples	CTV20-1900	○			●		
Clamshell Grapples	CTV20-2300	○			○		
Clamshell Grapples	CTV20-2700				○		
Clamshell Grapples	CTV30-1700	○	●	●	●	●	●
Clamshell Grapples	CTV30-1900	○	●	●	●	●	●
Clamshell Grapples	CTV30-2300		○	○	○	●	●
Clamshell Grapples	CTV30-2500						
Clamshell Grapples	CTV30-2700		○	○	○	●	○
Clamshell Grapples	CTV30-2900		○			○	○
Clamshell Grapples	CTV30-3100					○	○

(continued on next page)

Clamshell Grapples Technical Specifications

Matching – Tracked Excavators *(continued)*

All Clamshell Grapples are Pin-on only.

1800 kg/m³ (3000 lb/yd³)

1200 kg/m³ (2000 lb/yd³)

900 kg/m³ (1500 lb/yd³)

No Match

340F

Undercarriage		L		
Counterweight		7.0 mt		
Boom Type		Reach HD		ME
Stick Length		2.80 m HD (9'2")	3.20 m HD (10'6")	2.55 m (8'4")
Clamshell Grapples	CTV30-1700	●	●	●
Clamshell Grapples	CTV30-1900	●	●	●
Clamshell Grapples	CTV30-2300	○	○	●
Clamshell Grapples	CTV30-2700	○		○
Clamshell Grapples	CTV30-2900			○
Clamshell Grapples	CTV30-3100			○

340F UHD

Undercarriage		L-FIX		
Counterweight		8.45 mt		
Boom Type		Retrofit (B)		
Stick Length		2.80 m HD (9'2")	3.20 m HD (10'6")	3.90 m HD (12'10")
Clamshell Grapples	CTV30-1700	○	○	○
Clamshell Grapples	CTV30-1900	○	○	
Clamshell Grapples	CTV30-2300			
Clamshell Grapples	CTV30-2700			
Clamshell Grapples	CTV30-2900			
Clamshell Grapples	CTV30-3100			

340F UHD *(continued)*

Undercarriage		L-VG					
Counterweight		8.45 mt					
Boom Type		Retrofit (B)			Retrofit (S)		
Stick Length		2.80 m HD (9'2")	3.20 m HD (10'6")	3.90 m HD (12'10")	2.80 m HD (9'2")	3.20 m HD (10'6")	3.90 m HD (12'10")
Clamshell Grapples	CTV30-1700	●	●	●	●	○	○
Clamshell Grapples	CTV30-1900	●	●	○	○	○	○
Clamshell Grapples	CTV30-2300	○	○	○	○		
Clamshell Grapples	CTV30-2700	○	○				
Clamshell Grapples	CTV30-2900	○	○				
Clamshell Grapples	CTV30-3100	○					

(continued on next page)

Clamshell Grapples Technical Specifications

Matching – Tracked Excavators *(continued)*

All Clamshell Grapples are Pin-on only.

1800 kg/m³ (3000 lb/yd³)
 1200 kg/m³ (2000 lb/yd³)
 900 kg/m³ (1500 lb/yd³)
 No Match

340

Undercarriage		HD High Wide				L	
Counterweight		7.5 mt				9.0 mt	
Boom Type		Reach		ME	Straight		
Stick Length		2.80 m (9'2")	3.20 m (10'6")	3.90 m (12'10")	2.55 m (8'4")	3.20 m (10'6")	3.90 m (12'10")
Clamshell Grapples	CTV20-1300	●	●	●		●	●
Clamshell Grapples	CTV20-1500	●	●	●		●	○
Clamshell Grapples	CTV20-1700	●	●	●		●	○
Clamshell Grapples	CTV20-1900	●	●	●		○	○
Clamshell Grapples	CTV20-2300	○	○	○		○	
Clamshell Grapples	CTV20-2700	○	○	○			
Clamshell Grapples	CTV30-1700	●	●	○	●	○	○
Clamshell Grapples	CTV30-1900	●	●	○	●	○	
Clamshell Grapples	CTV30-2300	○	○	○	○		
Clamshell Grapples	CTV30-2700	○	○		○		
Clamshell Grapples	CTV30-2900	○			○		
Clamshell Grapples	CTV30-3100				○		

340 *(continued)*

Undercarriage		LN							
Counterweight		9.0 mt		7.5 mt					
Boom Type		Straight		Reach			Reach HD		
Stick Length		3.20 m (10'6")	3.90 m (12'10")	2.80 m (9'2")	3.20 m (10'6")	3.90 m (12'10")	2.80 m HD (9'2")	3.20 m HD (10'6")	3.90 m HD (12'10")
Clamshell Grapples	CTV20-1300	●	●	●	●	●	●	●	●
Clamshell Grapples	CTV20-1500	●	○	●	●	○	●	●	○
Clamshell Grapples	CTV20-1700	○	○	●	○	○	●	○	○
Clamshell Grapples	CTV20-1900	○		○	○		○	○	
Clamshell Grapples	CTV20-2300			○			○		
Clamshell Grapples	CTV20-2700								
Clamshell Grapples	CTV30-1700	○		○	○		○	○	
Clamshell Grapples	CTV30-1900			○			○		
Clamshell Grapples	CTV30-2300								
Clamshell Grapples	CTV30-2700								
Clamshell Grapples	CTV30-2900								
Clamshell Grapples	CTV30-3100								

(continued on next page)

Clamshell Grapples Technical Specifications

Matching – Tracked Excavators *(continued)*

All Clamshell Grapples are Pin-on only.

1800 kg/m³ (3000 lb/yd³)

1200 kg/m³ (2000 lb/yd³)

900 kg/m³ (1500 lb/yd³)

No Match

340 *(continued)*

Undercarriage		LW		
Counterweight		6.8 mt		
Boom Type		Reach		
Stick Length		2.80 m (9'2")	3.20 m (10'6")	3.90 m (12'10")
Clamshell Grapples	CTV20-1300			
Clamshell Grapples	CTV20-1500	●	●	○
Clamshell Grapples	CTV20-1700			
Clamshell Grapples	CTV20-1900			
Clamshell Grapples	CTV20-2300	○		
Clamshell Grapples	CTV20-2700			
Clamshell Grapples	CTV30-1700			
Clamshell Grapples	CTV30-1900	○		
Clamshell Grapples	CTV30-2300			
Clamshell Grapples	CTV30-2700			
Clamshell Grapples	CTV30-2900			
Clamshell Grapples	CTV30-3100			

340 *(continued)*

Undercarriage		LW					
Counterweight		7.5 mt					
Boom Type		Reach HD			Reach HD+		
Stick Length		2.80 m HD (9'2")	3.20 m HD (10'6")	3.90 m HD (12'10")	2.80 m HD+ (9'2")	3.20 m HD+ (10'6")	3.90 m HD+ (12'10")
Clamshell Grapples	CTV20-1300	●	●	●	●	●	●
Clamshell Grapples	CTV20-1500	●	●	●	●	●	●
Clamshell Grapples	CTV20-1700	●	●	○	●	●	○
Clamshell Grapples	CTV20-1900	●	○	○	●	○	○
Clamshell Grapples	CTV20-2300	○	○		○	○	
Clamshell Grapples	CTV20-2700	○					
Clamshell Grapples	CTV30-1700	●	○	○	○	○	○
Clamshell Grapples	CTV30-1900	○	○		○	○	
Clamshell Grapples	CTV30-2300	○			○		
Clamshell Grapples	CTV30-2700						
Clamshell Grapples	CTV30-2900						
Clamshell Grapples	CTV30-3100						

(continued on next page)

Clamshell Grapples Technical Specifications

Matching – Tracked Excavators *(continued)*

All Clamshell Grapples are Pin-on only.

1800 kg/m³ (3000 lb/yd³)
 1200 kg/m³ (2000 lb/yd³)
 900 kg/m³ (1500 lb/yd³)
 No Match

340 *(continued)*

Undercarriage		LW					
Counterweight		7.5 mt					
Boom Type		Reach			Reach HD		
Stick Length		2.80 m (9'2")	3.20 m (10'6")	3.90 m (12'10")	2.80 m HD (9'2")	3.20 m HD (10'6")	3.90 m HD (12'10")
Clamshell Grapples	CTV20-1300	●	●	●	●	●	●
Clamshell Grapples	CTV20-1500	●	●	●	●	●	●
Clamshell Grapples	CTV20-1700	●	●	○	●	●	○
Clamshell Grapples	CTV20-1900	●	●	○	●	○	○
Clamshell Grapples	CTV20-2300	○	○		○	○	
Clamshell Grapples	CTV20-2700	○			○		
Clamshell Grapples	CTV30-1700	●	○	○	●	○	○
Clamshell Grapples	CTV30-1900	○	○		○	○	
Clamshell Grapples	CTV30-2300	○			○		
Clamshell Grapples	CTV30-2700						
Clamshell Grapples	CTV30-2900						
Clamshell Grapples	CTV30-3100						

340 UHD

Undercarriage		L					
Counterweight		9.0 mt					
Boom Type		Retrofit (B)			Retrofit (S)		
Stick Length		2.80 m (9'2")	3.20 m (10'6")	3.90 m (12'10")	2.80 m (9'2")	3.20 m (10'6")	3.90 m (12'10")
Clamshell Grapples	CTV20-1300	●	●	●	●	●	○
Clamshell Grapples	CTV20-1500	●	●	●	●	○	○
Clamshell Grapples	CTV20-1700	●	●	○	○	○	○
Clamshell Grapples	CTV20-1900	●	●	○	○	○	
Clamshell Grapples	CTV20-2300	○	○				
Clamshell Grapples	CTV20-2700	○					
Clamshell Grapples	CTV30-1700	●	○	○	○		
Clamshell Grapples	CTV30-1900	○	○				
Clamshell Grapples	CTV30-2300	○					
Clamshell Grapples	CTV30-2500						
Clamshell Grapples	CTV30-2700						
Clamshell Grapples	CTV30-2900						
Clamshell Grapples	CTV30-3100						
Clamshell Grapples	CTV30-3400						
Clamshell Grapples	CTV30-3800						

(continued on next page)

Clamshell Grapples Technical Specifications

Matching – Tracked Excavators *(continued)*

All Clamshell Grapples are Pin-on only.

1800 kg/m³ (3000 lb/yd³)

1200 kg/m³ (2000 lb/yd³)

900 kg/m³ (1500 lb/yd³)

No Match

340 UHD *(continued)*

Undercarriage		H-VG					
Counterweight		9.0 mt					
Boom Type		Retrofit (B)			Retrofit (S)		
Stick Length		2.80 m (9'2")	3.20 m (10'6")	3.90 m (12'10")	2.80 m (9'2")	3.20 m (10'6")	3.90 m (12'10")
Clamshell Grapples	CTV20-1300	●	●	●	●	●	●
Clamshell Grapples	CTV20-1500	●	●	●	●	●	●
Clamshell Grapples	CTV20-1700	●	●	●	●	●	●
Clamshell Grapples	CTV20-1900	●	●	●	●	●	○
Clamshell Grapples	CTV20-2300	○	○	○	○	○	○
Clamshell Grapples	CTV20-2700	○	○	○	○	○	
Clamshell Grapples	CTV30-1700	●	●	●	●	●	○
Clamshell Grapples	CTV30-1900	●	●	○	●	●	○
Clamshell Grapples	CTV30-2300	●	●	○	●	○	
Clamshell Grapples	CTV30-2500	●	○		●	○	
Clamshell Grapples	CTV30-2700	●	○		●	○	
Clamshell Grapples	CTV30-2900	●	○		○	○	
Clamshell Grapples	CTV30-3100	●	○		○	○	
Clamshell Grapples	CTV30-3400	○			○		
Clamshell Grapples	CTV30-3800	○			○		

345 GC

Undercarriage		—	
Counterweight		9.0 mt	
Boom Type		Reach HD	
Stick Length		2.90 m HD (9'6")	3.35 m HD (11'0")
Clamshell Grapples	CTV30-1700	●	●
Clamshell Grapples	CTV30-1900	●	○
Clamshell Grapples	CTV30-2300	○	○
Clamshell Grapples	CTV30-2700	○	

349D2

Undercarriage		—		L-FIX	
Counterweight		—		—	
Boom Type		Reach HD		Reach HD	
Stick Length		3.35 m HD (11'0")	3.90 m HD (12'10")	3.35 m HD (11'0")	3.90 m HD (12'10")
Clamshell Grapples	CTV30-1700	●	●	●	●
Clamshell Grapples	CTV30-1900	●	○	●	○
Clamshell Grapples	CTV30-2300	○	○	○	○
Clamshell Grapples	CTV30-2700	○		○	

(continued on next page)

Clamshell Grapples Technical Specifications

Matching – Tracked Excavators *(continued)*

All Clamshell Grapples are Pin-on only.

1800 kg/m³ (3000 lb/yd³)
 1200 kg/m³ (2000 lb/yd³)
 900 kg/m³ (1500 lb/yd³)
 No Match

349F

Undercarriage		L-FIX		
Counterweight		—		
Boom Type		Reach HD		Long Reach
Stick Length		3.40 m HD (11'2")	3.90 m HD (12'10")	4.30 m HD (14'1")
Clamshell Grapples	CTV30-1900	●	○	○
Clamshell Grapples	CTV30-2300	○	○	
Clamshell Grapples	CTV30-2500	○		
Clamshell Grapples	CTV30-2700	○		

349F XE

Undercarriage		L-FIX		
Counterweight		—		
Boom Type		Reach HD		Long Reach
Stick Length		3.40 m HD (11'2")	3.90 m HD (12'10")	4.30 m HD (14'1")
Clamshell Grapples	CTV30-1900	●	○	○
Clamshell Grapples	CTV30-2300	○	○	
Clamshell Grapples	CTV30-2500	○		
Clamshell Grapples	CTV30-2700	○		

349

Undercarriage		L						
Counterweight		9.0 mt			8.6 mt (Removal)			
Boom Type		Reach HD			Long Reach	Reach HD		Long Reach
Stick Length		2.90 m HD (9'6")	3.35 m HD (11'0")	3.90 m HD (12'10")	4.30 m HD (14'1")	3.35 m HD (11'0")	3.90 m HD (12'10")	4.30 m HD (14'1")
Clamshell Grapples	CTV30-1700	●	●					
Clamshell Grapples	CTV30-1900	●	●	○	○	●	○	○
Clamshell Grapples	CTV30-2300	○	○	○		○	○	
Clamshell Grapples	CTV30-2500		○			○		
Clamshell Grapples	CTV30-2700	○	○					
Clamshell Grapples	CTV30-2900	○						
Clamshell Grapples	CTV30-3100	○						

(continued on next page)

Clamshell Grapples Technical Specifications

Matching – Tracked Excavators *(continued)*

All Clamshell Grapples are Pin-on only.

1800 kg/m³ (3000 lb/yd³)

1200 kg/m³ (2000 lb/yd³)

900 kg/m³ (1500 lb/yd³)

No Match

350

Undercarriage		L					
Counterweight		9.0 mt					
Boom Type		Reach HD			Reach		
Stick Length		3.90 m (12'10")	2.90 m HD (9'6")	3.35 m HD (11'0")	2.90 m (9'6")	3.35 m (11'0")	3.90 m (12'10")
Clamshell Grapples	CTV30-1700	●	●	●	●	●	
Clamshell Grapples	CTV30-1900	○	●	○	●	○	○
Clamshell Grapples	CTV30-2300	○	○	○	○	○	
Clamshell Grapples	CTV30-2500					○	
Clamshell Grapples	CTV30-2700		○		○		
Clamshell Grapples	CTV30-2900		○		○		

352F

Undercarriage		L-VG			
Counterweight		—			
Boom Type		Reach HD			Long Reach
Stick Length		2.90 m HD (9'6")	3.40 m HD (11'2")	3.90 m HD (12'10")	4.30 m HD (14'1")
Clamshell Grapples	CTV30-1700	●	●		
Clamshell Grapples	CTV30-1900	●	●	●	○
Clamshell Grapples	CTV30-2300	●	●	○	○
Clamshell Grapples	CTV30-2500		○	○	
Clamshell Grapples	CTV30-2700	○	○	○	
Clamshell Grapples	CTV30-2900	○	○		
Clamshell Grapples	CTV30-3100	○	○		

352F XE

Undercarriage		L-VG			
Counterweight		—			
Boom Type		Reach HD			Long Reach
Stick Length		2.90 m HD (9'6")	3.40 m HD (11'2")	3.90 m HD (12'10")	4.30 m HD (14'1")
Clamshell Grapples	CTV30-1700	●	●		
Clamshell Grapples	CTV30-1900	●	●	●	○
Clamshell Grapples	CTV30-2300	●	●	○	○
Clamshell Grapples	CTV30-2500		○	○	
Clamshell Grapples	CTV30-2700	○	○	○	
Clamshell Grapples	CTV30-2900	○	○		
Clamshell Grapples	CTV30-3100	○	○		

(continued on next page)

Clamshell Grapples Technical Specifications

Matching – Tracked Excavators *(continued)*

All Clamshell Grapples are Pin-on only.

1800 kg/m³ (3000 lb/yd³)
 1200 kg/m³ (2000 lb/yd³)
 900 kg/m³ (1500 lb/yd³)
 No Match

352

Undercarriage		L-VG						
Counterweight		9.0 mt			8.6 mt (Removal)			
Boom Type		Long Reach	Reach HD			Reach HD		Long Reach
Stick Length		4.30 m HD (14'1")	2.90 m HD (9'6")	3.35 m HD (11'0")	3.90 m HD (12'10")	3.35 m HD (11'0")	3.90 m HD (12'10")	4.30 m HD (14'1")
Clamshell Grapples	CTV30-1700	●	●	●				
Clamshell Grapples	CTV30-1900	○	●	●	●	●	●	○
Clamshell Grapples	CTV30-2300	○	●	○	○	○	○	
Clamshell Grapples	CTV30-2500			○	○	○	○	
Clamshell Grapples	CTV30-2700		○	○	○	○	○	
Clamshell Grapples	CTV30-2900		○	○				
Clamshell Grapples	CTV30-3100		○	○				
Clamshell Grapples	CTV30-3400							
Clamshell Grapples	CTV40-3500							

352 *(continued)*

Undercarriage		L				
Counterweight		9.8 mt				
Boom Type		Reach			Long Reach	Reach (Narrow)
Stick Length		2.90 m (9'6")	3.35 m (11'0")	3.90 m (12'10")	4.30 m (14'1")	3.35 m Narrow (11'0")
Clamshell Grapples	CTV30-1700	●	●	●		
Clamshell Grapples	CTV30-1900	●	●	●	○	●
Clamshell Grapples	CTV30-2300	●	○	○		○
Clamshell Grapples	CTV30-2500		○	○		○
Clamshell Grapples	CTV30-2700	○	○	○		○
Clamshell Grapples	CTV30-2900	○	○			
Clamshell Grapples	CTV30-3100	○				
Clamshell Grapples	CTV30-3400					
Clamshell Grapples	CTV40-3500					

(continued on next page)

Clamshell Grapples Technical Specifications

Matching – Tracked Excavators *(continued)*

All Clamshell Grapples are Pin-on only.

1800 kg/m³ (3000 lb/yd³)

1200 kg/m³ (2000 lb/yd³)

900 kg/m³ (1500 lb/yd³)

No Match

352 *(continued)*

Undercarriage		L-VG				
Counterweight		9.8 mt				
Boom Type		Reach			ME	Reach (Narrow)
Stick Length		2.90 m (9'6")	3.35 m (11'0")	3.90 m (12'10")	2.50 m (8'2")	3.35 m Narrow (11'0")
Clamshell Grapples	CTV30-1700	●	●			
Clamshell Grapples	CTV30-1900	●	●	●		●
Clamshell Grapples	CTV30-2300	●	●	○		●
Clamshell Grapples	CTV30-2500		○	○		○
Clamshell Grapples	CTV30-2700	●	○	○		○
Clamshell Grapples	CTV30-2900	○	○			
Clamshell Grapples	CTV30-3100	○	○			
Clamshell Grapples	CTV30-3400		○			○
Clamshell Grapples	CTV40-3500				○	

352 UHD

Undercarriage		H-VG					
Counterweight		12.0 mt					
Boom Type		Retrofit (B)			Retrofit (S)		
Stick Length		2.90 m HD (9'6")	3.35 m HD (11'0")	3.90 m HD (12'10")	2.90 m HD (9'6")	3.35 m HD (11'0")	3.90 m HD (12'10")
Clamshell Grapples	CTV30-1700	●	●	●	●	●	●
Clamshell Grapples	CTV30-1900	●	●	●	●	●	●
Clamshell Grapples	CTV30-2300	●	●	●	●	●	●
Clamshell Grapples	CTV30-2500	●	●		●	●	
Clamshell Grapples	CTV30-2700	●	●	○	●	○	○
Clamshell Grapples	CTV30-2900	●	●	○	●	○	○
Clamshell Grapples	CTV30-3100	●	○	○	●	○	○
Clamshell Grapples	CTV30-3400	●	○		○	○	
Clamshell Grapples	CTV30-3800	○	○		○		
Clamshell Grapples	CTV40-3500	○			○		
Clamshell Grapples	CTV40-4000	○					
Clamshell Grapples	CTV40-3800	○					

(continued on next page)

Clamshell Grapples Technical Specifications

Matching – Tracked Excavators *(continued)*

All Clamshell Grapples are Pin-on only.

1800 kg/m³ (3000 lb/yd³)
 1200 kg/m³ (2000 lb/yd³)
 900 kg/m³ (1500 lb/yd³)
 No Match

374F

Undercarriage		L		
Counterweight		—		
Boom Type		Reach		
Stick Length		2.84 m HD (9'4")	3.60 m HD (11'10")	4.15 m HD (13'7")
Clamshell Grapples	CTV40-3500	<input type="checkbox"/>	<input type="checkbox"/>	<input type="checkbox"/>
Clamshell Grapples	CTV40-4000	<input type="checkbox"/>	<input type="checkbox"/>	
Clamshell Grapples	CTV40-4500	<input type="checkbox"/>		
Clamshell Grapples	CTV40-3800		<input type="checkbox"/>	

374

Undercarriage		L-VG			
Counterweight		11.2 mt			
Boom Type		Reach HD		ME	
Stick Length		2.84 m HD (9'4")	3.60 m HD (11'10")	2.57 m (8'5")	3.00 m (9'10")
Clamshell Grapples	CTV40-3500		<input type="checkbox"/>	<input checked="" type="checkbox"/>	<input checked="" type="checkbox"/>
Clamshell Grapples	CTV40-4000		<input type="checkbox"/>	<input checked="" type="checkbox"/>	<input type="checkbox"/>
Clamshell Grapples	CTV40-4500			<input type="checkbox"/>	<input type="checkbox"/>
Clamshell Grapples	CTV40-5000			<input type="checkbox"/>	<input type="checkbox"/>
Clamshell Grapples	CTV40-3800	<input type="checkbox"/>	<input type="checkbox"/>	<input checked="" type="checkbox"/>	
Clamshell Grapples	CTV40-4600			<input type="checkbox"/>	
Clamshell Grapples	CTV40-5400			<input type="checkbox"/>	

374 *(continued)*

Undercarriage		L-VG			
Counterweight		10.0 mt (Removal)			
Boom Type		Reach HD		ME	
Stick Length		2.84 m HD (9'4")	3.60 m HD (11'10")	2.57 m (8'5")	3.00 m (9'10")
Clamshell Grapples	CTV40-3500		<input type="checkbox"/>	<input checked="" type="checkbox"/>	<input checked="" type="checkbox"/>
Clamshell Grapples	CTV40-4000		<input type="checkbox"/>	<input checked="" type="checkbox"/>	<input type="checkbox"/>
Clamshell Grapples	CTV40-4500			<input type="checkbox"/>	<input type="checkbox"/>
Clamshell Grapples	CTV40-5000			<input type="checkbox"/>	<input type="checkbox"/>
Clamshell Grapples	CTV40-3800	<input type="checkbox"/>	<input type="checkbox"/>	<input checked="" type="checkbox"/>	
Clamshell Grapples	CTV40-4600			<input type="checkbox"/>	
Clamshell Grapples	CTV40-5400			<input type="checkbox"/>	

Clamshell Grapples Technical Specifications

Matching – Wheeled Excavators

All Clamshell Grapples are Pin-on only.

1800 kg/m³ (3000 lb/yd³)

1200 kg/m³ (2000 lb/yd³)

900 kg/m³ (1500 lb/yd³)

No Match

M318F

Undercarriage		Front and Rear Outriggers							
Counterweight		3.4 mt							
Boom Type		1 PC				VA			
Stick Length		2.10 m (6'11")	2.40 m (7'10")	2.60 m (8'6")	3.10 m (10'2")	2.10 m (6'11")	2.40 m (7'10")	2.60 m (8'6")	3.10 m (10'2")
Clamshell Grapples	CTV15-1000	●	●	○	●	●	●	○	●
Clamshell Grapples	CTV15-1200	●	○	○	○	●	○	○	○
Clamshell Grapples	CTV15-1500	○			○	○			
Clamshell Grapples	CTV15-1700	○							

M318F (continued)

Undercarriage		Front and Rear Outriggers							
Counterweight		3.9 mt							
Boom Type		1 PC				VA			
Stick Length		2.10 m (6'11")	2.40 m (7'10")	2.60 m (8'6")	3.10 m (10'2")	2.10 m (6'11")	2.40 m (7'10")	2.60 m (8'6")	3.10 m (10'2")
Clamshell Grapples	CTV15-1000	●	●	○	●	●	●	○	●
Clamshell Grapples	CTV15-1200	●	○	○	○	●	○	○	○
Clamshell Grapples	CTV15-1500	○			○	○			
Clamshell Grapples	CTV15-1700	○				○			

M318F (continued)

Undercarriage		Front Outriggers; Rear Blade							
Counterweight		3.4 mt							
Boom Type		1 PC				VA			
Stick Length		2.10 m (6'11")	2.40 m (7'10")	2.60 m (8'6")	3.10 m (10'2")	2.10 m (6'11")	2.40 m (7'10")	2.60 m (8'6")	3.10 m (10'2")
Clamshell Grapples	CTV15-1000	○	○	○	○	○	○	○	○
Clamshell Grapples	CTV15-1200	○	○		○	○			
Clamshell Grapples	CTV15-1500								
Clamshell Grapples	CTV15-1700								

M318F (continued)

Undercarriage		Front Outriggers; Rear Blade							
Counterweight		3.9 mt							
Boom Type		1 PC				VA			
Stick Length		2.10 m (6'11")	2.40 m (7'10")	2.60 m (8'6")	3.10 m (10'2")	2.10 m (6'11")	2.40 m (7'10")	2.60 m (8'6")	3.10 m (10'2")
Clamshell Grapples	CTV15-1000	●	○	○	○	○	○	○	○
Clamshell Grapples	CTV15-1200	○	○	○	○	○	○	○	○
Clamshell Grapples	CTV15-1500								
Clamshell Grapples	CTV15-1700								

M318

Undercarriage		Front and Rear Outriggers		Front Blade; Rear Outriggers		Front Outriggers; Rear Blade (Wide U/C)		Front Outriggers; Rear Blade	
Counterweight		4.2 mt		4.2 mt		4.2 mt		4.2 mt	
Boom Type		1 PC		1 PC		1 PC		1 PC	
Stick Length		2.20 m (7'3")	2.50 m (8'2")	2.20 m (7'3")	2.50 m (8'2")	2.20 m (7'3")	2.50 m (8'2")	2.20 m (7'3")	2.50 m (8'2")
Clamshell Grapples	CTV15-1000	●	○	●	○	●	○	●	○
Clamshell Grapples	CTV15-1200	○	○	○	○	○	○	○	○

(continued on next page)

Clamshell Grapples Technical Specifications

Matching – Wheeled Excavators *(continued)*

All Clamshell Grapples are Pin-on only.

1800 kg/m³ (3000 lb/yd³)
 1200 kg/m³ (2000 lb/yd³)
 900 kg/m³ (1500 lb/yd³)
 No Match

M318 *(continued)*

Undercarriage	Rear Blade (Wide U/C)
Counterweight	4.2 mt
Boom Type	1 PC
Stick Length	2.20 m (7'3")
Clamshell Grapples	CTV15-1000 <input type="checkbox"/>
Clamshell Grapples	CTV15-1200 <input type="checkbox"/>

M318 *(continued)*

Undercarriage	Front and Rear Outriggers							
Counterweight	3.7 mt				4.2 mt			
Boom Type	1 PC		VA		1 PC		VA	
Stick Length	2.20 m (7'3")	2.50 m (8'2")	2.20 m (7'3")	2.50 m (8'2")	2.20 m (7'3")	2.50 m (8'2")	2.20 m (7'3")	2.50 m (8'2")
Clamshell Grapples	CTV15-1000 <input checked="" type="checkbox"/>	<input type="checkbox"/>	<input checked="" type="checkbox"/>	<input type="checkbox"/>	<input checked="" type="checkbox"/>	<input type="checkbox"/>	<input checked="" type="checkbox"/>	<input type="checkbox"/>
Clamshell Grapples	CTV15-1200 <input type="checkbox"/>	<input type="checkbox"/>	<input type="checkbox"/>	<input type="checkbox"/>	<input type="checkbox"/>	<input type="checkbox"/>	<input type="checkbox"/>	<input type="checkbox"/>

M318 *(continued)*

Undercarriage	Front Blade; Rear Outriggers							
Counterweight	3.7 mt				4.2 mt			
Boom Type	1 PC		VA		1 PC		VA	
Stick Length	2.20 m (7'3")	2.50 m (8'2")	2.20 m (7'3")	2.50 m (8'2")	2.20 m (7'3")	2.50 m (8'2")	2.20 m (7'3")	2.50 m (8'2")
Clamshell Grapples	CTV15-1000 <input checked="" type="checkbox"/>	<input type="checkbox"/>	<input checked="" type="checkbox"/>	<input type="checkbox"/>	<input checked="" type="checkbox"/>	<input type="checkbox"/>	<input checked="" type="checkbox"/>	<input type="checkbox"/>
Clamshell Grapples	CTV15-1200 <input type="checkbox"/>	<input type="checkbox"/>	<input type="checkbox"/>	<input type="checkbox"/>	<input type="checkbox"/>	<input type="checkbox"/>	<input type="checkbox"/>	<input type="checkbox"/>

M318 *(continued)*

Undercarriage	Front Outriggers; Rear Blade (Wide U/C)							
Counterweight	3.7 mt				4.2 mt			
Boom Type	1 PC		VA		1 PC		VA	
Stick Length	2.20 m (7'3")	2.50 m (8'2")	2.20 m (7'3")	2.50 m (8'2")	2.20 m (7'3")	2.50 m (8'2")	2.20 m (7'3")	2.50 m (8'2")
Clamshell Grapples	CTV15-1000 <input checked="" type="checkbox"/>	<input type="checkbox"/>	<input checked="" type="checkbox"/>	<input type="checkbox"/>	<input checked="" type="checkbox"/>	<input type="checkbox"/>	<input checked="" type="checkbox"/>	<input type="checkbox"/>
Clamshell Grapples	CTV15-1200 <input type="checkbox"/>	<input type="checkbox"/>	<input type="checkbox"/>	<input type="checkbox"/>	<input type="checkbox"/>	<input type="checkbox"/>	<input type="checkbox"/>	<input type="checkbox"/>

M318 *(continued)*

Undercarriage	Front Outriggers; Rear (parallel) Blade
Counterweight	4.2 mt
Boom Type	1 PC
Stick Length	2.50 m (8'2")
Clamshell Grapples	CTV15-1000 <input type="checkbox"/>
Clamshell Grapples	CTV15-1200 <input type="checkbox"/>

M318 *(continued)*

Undercarriage	Front Outriggers; Rear Blade							
Counterweight	3.7 mt				4.2 mt			
Boom Type	1 PC		VA		1 PC		VA	
Stick Length	2.20 m (7'3")	2.50 m (8'2")	2.20 m (7'3")	2.50 m (8'2")	2.20 m (7'3")	2.50 m (8'2")	2.20 m (7'3")	2.50 m (8'2")
Clamshell Grapples	CTV15-1000 <input checked="" type="checkbox"/>	<input type="checkbox"/>	<input type="checkbox"/>	<input type="checkbox"/>	<input checked="" type="checkbox"/>	<input type="checkbox"/>	<input checked="" type="checkbox"/>	<input type="checkbox"/>
Clamshell Grapples	CTV15-1200 <input type="checkbox"/>	<input type="checkbox"/>	<input type="checkbox"/>	<input type="checkbox"/>	<input type="checkbox"/>	<input type="checkbox"/>	<input type="checkbox"/>	<input type="checkbox"/>

(continued on next page)

Clamshell Grapples Technical Specifications

Matching – Wheeled Excavators *(continued)*

All Clamshell Grapples are Pin-on only.

1800 kg/m³ (3000 lb/yd³)

1200 kg/m³ (2000 lb/yd³)

900 kg/m³ (1500 lb/yd³)

No Match

M318 *(continued)*

Undercarriage	Rear Blade (Wide U/C)
Counterweight	4.2 mt
Boom Type	1 PC
Stick Length	2.20 m (7'3")
Clamshell Grapples	CTV15-1000 <input type="checkbox"/>
Clamshell Grapples	CTV15-1200 <input type="checkbox"/>

M319

Undercarriage	Front and Rear Outriggers		Front Blade; Rear Outriggers		Front Outriggers; Rear Blade (Wide U/C)		Front Outriggers; Rear Blade	
Counterweight	5.0 mt		5.0 mt		5.0 mt		5.0 mt	
Boom Type	VA		VA		VA		VA	
Stick Length	2.20 m (7'3")	2.50 m (8'2")	2.20 m (7'3")	2.50 m (8'2")	2.20 m (7'3")	2.50 m (8'2")	2.20 m (7'3")	2.50 m (8'2")
Clamshell Grapples	CTV15-1000 <input checked="" type="checkbox"/>	<input type="checkbox"/>	<input checked="" type="checkbox"/>	<input type="checkbox"/>	<input checked="" type="checkbox"/>	<input type="checkbox"/>	<input checked="" type="checkbox"/>	<input type="checkbox"/>
Clamshell Grapples	CTV15-1200 <input type="checkbox"/>	<input type="checkbox"/>	<input type="checkbox"/>	<input type="checkbox"/>	<input type="checkbox"/>	<input type="checkbox"/>	<input type="checkbox"/>	<input type="checkbox"/>

M320D2

Undercarriage	Front and Rear Outriggers				Front Outriggers; Rear Blade			
Counterweight	4.0 mt				4.0 mt			
Boom Type	1 PC		VA		1 PC		VA	
Stick Length	2.50 m (8'2")	2.80 m (9'2")	2.50 m (8'2")	2.80 m (9'2")	2.50 m (8'2")	2.80 m (9'2")	2.50 m (8'2")	2.80 m (9'2")
Clamshell Grapples	CTV15-1000 <input checked="" type="checkbox"/>	<input type="checkbox"/>	<input type="checkbox"/>	<input type="checkbox"/>	<input checked="" type="checkbox"/>	<input type="checkbox"/>	<input type="checkbox"/>	<input type="checkbox"/>
Clamshell Grapples	CTV15-1200 <input type="checkbox"/>	<input type="checkbox"/>	<input type="checkbox"/>	<input type="checkbox"/>	<input type="checkbox"/>	<input type="checkbox"/>	<input type="checkbox"/>	<input type="checkbox"/>

M320F

Undercarriage	Front and Rear Outriggers					
Counterweight	3.7 mt					
Boom Type	1 PC			VA		
Stick Length	2.50 m (8'2")	2.80 m (9'2")	3.30 m (10'10")	2.50 m (8'2")	2.80 m (9'2")	3.30 m (10'10")
Clamshell Grapples	CTV15-1000 <input checked="" type="checkbox"/>	<input type="checkbox"/>	<input checked="" type="checkbox"/>	<input checked="" type="checkbox"/>	<input type="checkbox"/>	<input checked="" type="checkbox"/>
Clamshell Grapples	CTV15-1200 <input checked="" type="checkbox"/>	<input type="checkbox"/>	<input type="checkbox"/>	<input type="checkbox"/>	<input type="checkbox"/>	<input type="checkbox"/>
Clamshell Grapples	CTV15-1500 <input type="checkbox"/>	<input type="checkbox"/>	<input type="checkbox"/>	<input type="checkbox"/>	<input type="checkbox"/>	<input type="checkbox"/>

M320F *(continued)*

Undercarriage	Front and Rear Outriggers					
Counterweight	4.2 mt					
Boom Type	1 PC			VA		
Stick Length	2.50 m (8'2")	2.80 m (9'2")	3.30 m (10'10")	2.50 m (8'2")	2.80 m (9'2")	3.30 m (10'10")
Clamshell Grapples	CTV15-1000 <input checked="" type="checkbox"/>	<input type="checkbox"/>	<input checked="" type="checkbox"/>	<input checked="" type="checkbox"/>	<input type="checkbox"/>	<input checked="" type="checkbox"/>
Clamshell Grapples	CTV15-1200 <input checked="" type="checkbox"/>	<input type="checkbox"/>	<input type="checkbox"/>	<input type="checkbox"/>	<input type="checkbox"/>	<input type="checkbox"/>
Clamshell Grapples	CTV15-1500 <input type="checkbox"/>	<input type="checkbox"/>	<input type="checkbox"/>	<input type="checkbox"/>	<input type="checkbox"/>	<input type="checkbox"/>

(continued on next page)

Clamshell Grapples Technical Specifications

Matching – Wheeled Excavators (continued)

All Clamshell Grapples are Pin-on only.

1800 kg/m³ (3000 lb/yd³)

1200 kg/m³ (2000 lb/yd³)

900 kg/m³ (1500 lb/yd³)

No Match

M320F (continued)

Undercarriage		Front Outriggers; Rear Blade					
Counterweight		3.7 mt					
Boom Type		1 PC			VA		
Stick Length		2.50 m (8'2")	2.80 m (9'2")	3.30 m (10'10")	2.50 m (8'2")	2.80 m (9'2")	3.30 m (10'10")
Clamshell Grapples	CTV15-1000	<input type="radio"/>	<input type="radio"/>	<input type="radio"/>	<input type="radio"/>	<input type="radio"/>	<input type="radio"/>
Clamshell Grapples	CTV15-1200	<input type="radio"/>		<input type="radio"/>	<input type="radio"/>		<input type="radio"/>
Clamshell Grapples	CTV15-1500						

M320F (continued)

Undercarriage		Front Outriggers; Rear Blade					
Counterweight		4.2 mt					
Boom Type		1 PC			VA		
Stick Length		2.50 m (8'2")	2.80 m (9'2")	3.30 m (10'10")	2.50 m (8'2")	2.80 m (9'2")	3.30 m (10'10")
Clamshell Grapples	CTV15-1000	<input checked="" type="radio"/>	<input type="radio"/>	<input checked="" type="radio"/>	<input checked="" type="radio"/>	<input type="radio"/>	<input checked="" type="radio"/>
Clamshell Grapples	CTV15-1200	<input type="radio"/>	<input type="radio"/>	<input type="radio"/>	<input type="radio"/>	<input type="radio"/>	<input type="radio"/>
Clamshell Grapples	CTV15-1500						

M320

Undercarriage		Front and Rear Outriggers		Front Blade; Rear Outriggers		Front Outriggers; Rear Blade (Wide U/C)		Front Outriggers; Rear Blade	
Counterweight		4.8 mt		4.8 mt		4.8 mt		4.8 mt	
Boom Type		1 PC		1 PC		1 PC		1 PC	
Stick Length		2.50 m (8'2")	2.90 m (9'6")	2.50 m (8'2")	2.90 m (9'6")	2.50 m (8'2")	2.90 m (9'6")	2.50 m (8'2")	2.90 m (9'6")
Clamshell Grapples	CTV15-1000	<input checked="" type="radio"/>	<input type="radio"/>	<input checked="" type="radio"/>	<input type="radio"/>	<input checked="" type="radio"/>	<input type="radio"/>	<input checked="" type="radio"/>	<input type="radio"/>
Clamshell Grapples	CTV15-1200	<input checked="" type="radio"/>	<input type="radio"/>	<input type="radio"/>	<input type="radio"/>	<input type="radio"/>	<input type="radio"/>	<input type="radio"/>	<input type="radio"/>
Clamshell Grapples	CTV15-1500	<input type="radio"/>		<input type="radio"/>		<input type="radio"/>			
Clamshell Grapples	CTV15-1700	<input type="radio"/>							

M320 (continued)

Undercarriage		Front and Rear Outriggers							
Counterweight		3.6 mt				4.2 mt			
Boom Type		1 PC		VA		1 PC		VA	
Stick Length		2.50 m (8'2")	2.90 m (9'6")	2.50 m (8'2")	2.90 m (9'6")	2.50 m (8'2")	2.90 m (9'6")	2.50 m (8'2")	2.90 m (9'6")
Clamshell Grapples	CTV15-1000	<input checked="" type="radio"/>	<input type="radio"/>	<input type="radio"/>	<input type="radio"/>	<input checked="" type="radio"/>	<input type="radio"/>	<input type="radio"/>	<input type="radio"/>
Clamshell Grapples	CTV15-1200	<input type="radio"/>	<input type="radio"/>	<input type="radio"/>		<input checked="" type="radio"/>	<input type="radio"/>	<input type="radio"/>	
Clamshell Grapples	CTV15-1500	<input type="radio"/>				<input type="radio"/>			
Clamshell Grapples	CTV15-1700					<input type="radio"/>			

M320 (continued)

Undercarriage		Front Blade; Rear Outriggers							
Counterweight		3.6 mt				4.2 mt			
Boom Type		1 PC		VA		1 PC		VA	
Stick Length		2.50 m (8'2")	2.90 m (9'6")	2.50 m (8'2")	2.90 m (9'6")	2.50 m (8'2")	2.90 m (9'6")	2.50 m (8'2")	2.90 m (9'6")
Clamshell Grapples	CTV15-1000	<input type="radio"/>	<input type="radio"/>	<input type="radio"/>	<input type="radio"/>	<input checked="" type="radio"/>	<input type="radio"/>	<input type="radio"/>	<input type="radio"/>
Clamshell Grapples	CTV15-1200	<input type="radio"/>		<input type="radio"/>		<input type="radio"/>	<input type="radio"/>	<input type="radio"/>	
Clamshell Grapples	CTV15-1500								
Clamshell Grapples	CTV15-1700								

(continued on next page)

Clamshell Grapples Technical Specifications

Matching – Wheeled Excavators *(continued)*

All Clamshell Grapples are Pin-on only.

1800 kg/m³ (3000 lb/yd³)
 1200 kg/m³ (2000 lb/yd³)
 900 kg/m³ (1500 lb/yd³)
 No Match

M320 *(continued)*

Undercarriage		Front Outriggers; Rear Blade (Wide U/C)							
Counterweight		3.6 mt				4.2 mt			
Boom Type		1 PC		VA		1 PC		VA	
Stick Length		2.50 m (8'2")	2.90 m (9'6")	2.50 m (8'2")	2.90 m (9'6")	2.50 m (8'2")	2.90 m (9'6")	2.50 m (8'2")	2.90 m (9'6")
Clamshell Grapples	CTV15-1000	<input type="checkbox"/>	<input type="checkbox"/>	<input type="checkbox"/>	<input type="checkbox"/>	<input checked="" type="checkbox"/>	<input type="checkbox"/>	<input type="checkbox"/>	<input type="checkbox"/>
Clamshell Grapples	CTV15-1200	<input type="checkbox"/>		<input type="checkbox"/>		<input type="checkbox"/>	<input type="checkbox"/>	<input type="checkbox"/>	
Clamshell Grapples	CTV15-1500								
Clamshell Grapples	CTV15-1700								

M320 *(continued)*

Undercarriage		Front Outriggers; Rear Blade							
Counterweight		3.6 mt				4.2 mt			
Boom Type		1 PC		VA		1 PC		VA	
Stick Length		2.50 m (8'2")	2.90 m (9'6")	2.50 m (8'2")	2.90 m (9'6")	2.50 m (8'2")	2.90 m (9'6")	2.50 m (8'2")	2.90 m (9'6")
Clamshell Grapples	CTV15-1000	<input type="checkbox"/>	<input type="checkbox"/>	<input type="checkbox"/>	<input type="checkbox"/>	<input type="checkbox"/>	<input type="checkbox"/>	<input type="checkbox"/>	<input type="checkbox"/>
Clamshell Grapples	CTV15-1200			<input type="checkbox"/>		<input type="checkbox"/>	<input type="checkbox"/>	<input type="checkbox"/>	
Clamshell Grapples	CTV15-1500								
Clamshell Grapples	CTV15-1700								

M322D2

Undercarriage		Front and Rear Outriggers							
Counterweight		3.9 mt				4.4 mt			
Boom Type		1 PC		VA		1 PC		VA	
Stick Length		2.20 m (7'3")	2.50 m (8'2")	2.20 m (7'3")	2.50 m (8'2")	2.20 m (7'3")	2.50 m (8'2")	2.20 m (7'3")	2.50 m (8'2")
Clamshell Grapples	CTV15-1000	<input checked="" type="checkbox"/>	<input type="checkbox"/>	<input checked="" type="checkbox"/>	<input type="checkbox"/>	<input checked="" type="checkbox"/>	<input type="checkbox"/>	<input checked="" type="checkbox"/>	<input type="checkbox"/>
Clamshell Grapples	CTV15-1200	<input type="checkbox"/>	<input type="checkbox"/>	<input type="checkbox"/>	<input type="checkbox"/>	<input type="checkbox"/>	<input type="checkbox"/>	<input type="checkbox"/>	<input type="checkbox"/>
Clamshell Grapples	CTV15-1500	<input type="checkbox"/>				<input type="checkbox"/>			

M322D2 *(continued)*

Undercarriage		Front and Rear Outriggers				Front Outriggers; Rear Blade			
Counterweight		5.4 mt				3.9 mt			
Boom Type		1 PC		VA		1 PC		VA	
Stick Length		2.20 m (7'3")	2.50 m (8'2")	2.20 m (7'3")	2.50 m (8'2")	2.20 m (7'3")	2.50 m (8'2")	2.20 m (7'3")	2.50 m (8'2")
Clamshell Grapples	CTV15-1000	<input checked="" type="checkbox"/>	<input type="checkbox"/>	<input checked="" type="checkbox"/>	<input type="checkbox"/>	<input checked="" type="checkbox"/>	<input type="checkbox"/>	<input checked="" type="checkbox"/>	<input type="checkbox"/>
Clamshell Grapples	CTV15-1200	<input type="checkbox"/>	<input type="checkbox"/>	<input type="checkbox"/>	<input type="checkbox"/>	<input type="checkbox"/>	<input type="checkbox"/>	<input type="checkbox"/>	<input type="checkbox"/>
Clamshell Grapples	CTV15-1500	<input type="checkbox"/>				<input type="checkbox"/>			

M322D2 *(continued)*

Undercarriage		Front Outriggers; Rear Blade							
Counterweight		4.4 mt				5.4 mt			
Boom Type		1 PC		VA		1 PC		VA	
Stick Length		2.20 m (7'3")	2.50 m (8'2")	2.20 m (7'3")	2.50 m (8'2")	2.20 m (7'3")	2.50 m (8'2")	2.20 m (7'3")	2.50 m (8'2")
Clamshell Grapples	CTV15-1000	<input checked="" type="checkbox"/>	<input type="checkbox"/>	<input checked="" type="checkbox"/>	<input type="checkbox"/>	<input checked="" type="checkbox"/>	<input type="checkbox"/>	<input checked="" type="checkbox"/>	<input type="checkbox"/>
Clamshell Grapples	CTV15-1200	<input type="checkbox"/>	<input type="checkbox"/>	<input type="checkbox"/>	<input type="checkbox"/>	<input type="checkbox"/>	<input type="checkbox"/>	<input type="checkbox"/>	<input type="checkbox"/>
Clamshell Grapples	CTV15-1500	<input type="checkbox"/>				<input type="checkbox"/>			

(continued on next page)

Clamshell Grapples Technical Specifications

Matching – Wheeled Excavators (continued)

All Clamshell Grapples are Pin-on only.

1800 kg/m³ (3000 lb/yd³)

1200 kg/m³ (2000 lb/yd³)

900 kg/m³ (1500 lb/yd³)

No Match

M322D2 (continued)

Undercarriage		Rear Blade					
Counterweight		3.9 mt			5.4 mt		
Boom Type		1 PC		1 PC		VA	
Stick Length		2.20 m (7'3")	2.50 m (8'2")	2.20 m (7'3")	2.50 m (8'2")	2.20 m (7'3")	2.50 m (8'2")
Clamshell Grapples	CTV15-1000	●	○	○	○	○	○
Clamshell Grapples	CTV15-1200	○	○			○	
Clamshell Grapples	CTV15-1500	○					

M322D2 MH

Undercarriage		Front Outriggers; Rear Blade		MH (2 sets Outriggers)			
Counterweight		4.0 mt		4.0 mt			
Boom Type		1 PC		1 PC		MH	
Stick Length		2.50 m (8'2")	2.80 m (9'2")	2.50 m (8'2")	2.80 m (9'2")	4.20 m (13'9")	4.90 m (16'1")
Clamshell Grapples	CTV15-1000	●	○	●	○	●	●
Clamshell Grapples	CTV15-1200	○	○	○	○	○	○
Clamshell Grapples	CTV15-1500					○	○

M322F

Undercarriage		Front and Rear Outriggers							
Counterweight		3.5 mt				4.7 mt			
Boom Type		1 PC		VA		1 PC		VA	
Stick Length		2.50 m (8'2")	2.90 m (9'6")	2.50 m (8'2")	2.90 m (9'6")	2.50 m (8'2")	2.90 m (9'6")	2.50 m (8'2")	2.90 m (9'6")
Clamshell Grapples	CTV15-1000	●	○	●	○	●	○	●	○
Clamshell Grapples	CTV15-1200	○		○		○		○	

M322F (continued)

Undercarriage		Front Blade; Rear Outriggers							
Counterweight		3.5 mt				4.7 mt			
Boom Type		1 PC		VA		1 PC		VA	
Stick Length		2.50 m (8'2")	2.90 m (9'6")	2.50 m (8'2")	2.90 m (9'6")	2.50 m (8'2")	2.90 m (9'6")	2.50 m (8'2")	2.90 m (9'6")
Clamshell Grapples	CTV15-1000	●	○	●	○	●	○	●	○
Clamshell Grapples	CTV15-1200	○		○		○		○	

M322F (continued)

Undercarriage		Front Outriggers; Rear Blade							
Counterweight		3.5 mt				4.7 mt			
Boom Type		1 PC		VA		1 PC		VA	
Stick Length		2.50 m (8'2")	2.90 m (9'6")	2.50 m (8'2")	2.90 m (9'6")	2.50 m (8'2")	2.90 m (9'6")	2.50 m (8'2")	2.90 m (9'6")
Clamshell Grapples	CTV15-1000	●	○	●	○	●	○	●	○
Clamshell Grapples	CTV15-1200	○		○		○		○	

M322

Undercarriage		Front and Rear Outriggers		Front Blade; Rear Outriggers		Front Outriggers; Rear Blade		Rear Blade
Counterweight		3.5 mt	4.7 mt	3.5 mt	4.7 mt	3.5 mt	4.7 mt	4.7 mt
Boom Type		VA		VA		VA		VA
Stick Length		2.50 m (8'2")		2.50 m (8'2")		2.50 m (8'2")		2.50 m (8'2")
Clamshell Grapples	CTV15-1000	○	○	○	○	○	○	○
Clamshell Grapples	CTV15-1200	○	○	○	○	○	○	

Clamshell Grapples Technical Specifications

Matching – Material Handlers

All Clamshell Grapples are Pin-on only.

1800 kg/m³ (3000 lb/yd³)

1200 kg/m³ (2000 lb/yd³)

900 kg/m³ (1500 lb/yd³)

No Match

M324D2 MH

Undercarriage		Front Outriggers; Rear Blade		MH (2 sets Outriggers)			
Counterweight		5.4 mt		5.4 mt			
Boom Type		1 PC	MH	1 PC	MH		
Stick Length		2.50 m (8'2")	4.90 m (16'1")	2.50 m (8'2")	4.80 m (15'9")	4.90 m (16'1")	5.90 m (19'4")
Clamshell Grapples	CTV15-1000	<input type="checkbox"/>	<input type="checkbox"/>	<input type="checkbox"/>	<input checked="" type="checkbox"/>	<input checked="" type="checkbox"/>	<input checked="" type="checkbox"/>
Clamshell Grapples	CTV15-1200	<input type="checkbox"/>		<input type="checkbox"/>	<input type="checkbox"/>	<input checked="" type="checkbox"/>	<input type="checkbox"/>
Clamshell Grapples	CTV15-1500				<input type="checkbox"/>	<input type="checkbox"/>	
Clamshell Grapples	CTV15-1700					<input type="checkbox"/>	

MH3022

Undercarriage		Front and Rear Outriggers						
Counterweight		3.7 mt						
Boom Type		1 PC			MH (5.35 m)		MH (6.4 m)	
Stick Length		2.50 m (8'2")	2.80 m (9'2")	3.30 m (10'10")	4.20 m (13'9")	4.90 m (16'1")	4.20 m (13'9")	4.90 m (16'1")
Clamshell Grapples	CTV15-1000	<input checked="" type="checkbox"/>	<input type="checkbox"/>	<input checked="" type="checkbox"/>	<input checked="" type="checkbox"/>	<input checked="" type="checkbox"/>	<input type="checkbox"/>	<input type="checkbox"/>
Clamshell Grapples	CTV15-1200	<input checked="" type="checkbox"/>	<input type="checkbox"/>	<input type="checkbox"/>	<input type="checkbox"/>	<input type="checkbox"/>		
Clamshell Grapples	CTV15-1500	<input type="checkbox"/>		<input type="checkbox"/>	<input type="checkbox"/>	<input type="checkbox"/>		
Clamshell Grapples	CTV15-1700							
Clamshell Grapples	CTV15-1900							
Clamshell Grapples	CTV15-2300							

MH3022 (continued)

Undercarriage		Front and Rear Outriggers					
Counterweight		3.7 mt			4.2 mt		
Boom Type		VA			1 PC		
Stick Length		2.50 m (8'2")	2.80 m (9'2")	3.30 m (10'10")	2.50 m (8'2")	2.80 m (9'2")	3.30 m (10'10")
Clamshell Grapples	CTV15-1000	<input checked="" type="checkbox"/>	<input type="checkbox"/>	<input checked="" type="checkbox"/>	<input checked="" type="checkbox"/>	<input type="checkbox"/>	<input checked="" type="checkbox"/>
Clamshell Grapples	CTV15-1200	<input type="checkbox"/>	<input type="checkbox"/>	<input type="checkbox"/>	<input checked="" type="checkbox"/>	<input type="checkbox"/>	<input type="checkbox"/>
Clamshell Grapples	CTV15-1500			<input type="checkbox"/>	<input type="checkbox"/>		<input type="checkbox"/>
Clamshell Grapples	CTV15-1700						
Clamshell Grapples	CTV15-1900						
Clamshell Grapples	CTV15-2300						

MH3022 (continued)

Undercarriage		Front and Rear Outriggers						
Counterweight		4.2 mt						
Boom Type		MH (5.35 m)		MH (6.4 m)		VA		
Stick Length		4.20 m (13'9")	4.90 m (16'1")	4.20 m (13'9")	4.90 m (16'1")	2.50 m (8'2")	2.80 m (9'2")	3.30 m (10'10")
Clamshell Grapples	CTV15-1000	<input checked="" type="checkbox"/>	<input checked="" type="checkbox"/>	<input type="checkbox"/>	<input type="checkbox"/>	<input checked="" type="checkbox"/>	<input type="checkbox"/>	<input checked="" type="checkbox"/>
Clamshell Grapples	CTV15-1200	<input checked="" type="checkbox"/>	<input type="checkbox"/>	<input type="checkbox"/>	<input type="checkbox"/>	<input type="checkbox"/>	<input type="checkbox"/>	<input type="checkbox"/>
Clamshell Grapples	CTV15-1500	<input type="checkbox"/>	<input type="checkbox"/>					<input type="checkbox"/>
Clamshell Grapples	CTV15-1700							
Clamshell Grapples	CTV15-1900							
Clamshell Grapples	CTV15-2300							

(continued on next page)

Clamshell Grapples Technical Specifications

Matching – Material Handlers *(continued)*

All Clamshell Grapples are Pin-on only.

● 1800 kg/m³ (3000 lb/yd³)

○ 1200 kg/m³ (2000 lb/yd³)

◇ 900 kg/m³ (1500 lb/yd³)

□ No Match

MH3022 *(continued)*

Undercarriage		Front Outriggers; Rear Blade							
Counterweight		3.7 mt							
Boom Type		1 PC			MH (5.35 m)		VA		
Stick Length		2.50 m (8'2")	2.80 m (9'2")	3.30 m (10'10")	4.20 m (13'9")	4.90 m (16'1")	2.50 m (8'2")	2.80 m (9'2")	3.30 m (10'10")
Clamshell Grapples	CTV15-1000	●	○	●	○	○	●	○	●
Clamshell Grapples	CTV15-1200	●	○	○	○	○	○	○	○
Clamshell Grapples	CTV15-1500	○		○					○
Clamshell Grapples	CTV15-1700								
Clamshell Grapples	CTV15-1900								
Clamshell Grapples	CTV15-2300								

MH3022 *(continued)*

Undercarriage		Front Outriggers; Rear Blade							
Counterweight		4.2 mt							
Boom Type		1 PC			MH (5.35 m)		VA		
Stick Length		2.50 m (8'2")	2.80 m (9'2")	3.30 m (10'10")	4.20 m (13'9")	4.90 m (16'1")	2.50 m (8'2")	2.80 m (9'2")	3.30 m (10'10")
Clamshell Grapples	CTV15-1000	●	○	●	○	○	●	○	●
Clamshell Grapples	CTV15-1200	●	○	○	○	○	○	○	○
Clamshell Grapples	CTV15-1500	○		○					○
Clamshell Grapples	CTV15-1700								
Clamshell Grapples	CTV15-1900								
Clamshell Grapples	CTV15-2300								

MH3022 *(continued)*

Undercarriage		MH (2.55 m)							
Counterweight		3.7 mt							
Boom Type		1 PC			MH (5.35 m)		VA		
Stick Length		2.50 m (8'2")	2.80 m (9'2")	3.30 m (10'10")	4.20 m (13'9")	4.90 m (16'1")	2.50 m (8'2")	2.80 m (9'2")	3.30 m (10'10")
Clamshell Grapples	CTV15-1000	●	○	●	○	○	●	○	●
Clamshell Grapples	CTV15-1200	●	○	○	○	○	○	○	○
Clamshell Grapples	CTV15-1500	○		○					○
Clamshell Grapples	CTV15-1700								
Clamshell Grapples	CTV15-1900								
Clamshell Grapples	CTV15-2300								

MH3022 *(continued)*

Undercarriage		MH (2.55 m)				
Counterweight		4.2 mt				
Boom Type		1 PC			MH (5.35 m)	
Stick Length		2.50 m (8'2")	2.80 m (9'2")	3.30 m (10'10")	4.20 m (13'9")	4.90 m (16'1")
Clamshell Grapples	CTV15-1000	●	○	●	●	●
Clamshell Grapples	CTV15-1200	●	○	○	○	○
Clamshell Grapples	CTV15-1500	○		○		
Clamshell Grapples	CTV15-1700					
Clamshell Grapples	CTV15-1900					
Clamshell Grapples	CTV15-2300					

(continued on next page)

Clamshell Grapples Technical Specifications

Matching – Material Handlers *(continued)*

All Clamshell Grapples are Pin-on only.

1800 kg/m³ (3000 lb/yd³)

1200 kg/m³ (2000 lb/yd³)

900 kg/m³ (1500 lb/yd³)

No Match

MH3022 *(continued)*

Undercarriage		MH (2.55 m)				
Counterweight		4.2 mt				
Boom Type		MH (6.4 m)			VA	
Stick Length		4.20 m (13'9")	4.90 m (16'1")	2.50 m (8'2")	2.80 m (9'2")	3.30 m (10'10")
Clamshell Grapples	CTV15-1000	○	○	●	○	●
Clamshell Grapples	CTV15-1200			○	○	○
Clamshell Grapples	CTV15-1500					○
Clamshell Grapples	CTV15-1700					
Clamshell Grapples	CTV15-1900					
Clamshell Grapples	CTV15-2300					

MH3022 *(continued)*

Undercarriage		MH (2.99 m)				
Counterweight		3.7 mt				
Boom Type		1 PC			MH (5.35 m)	
Stick Length		2.50 m (8'2")	2.80 m (9'2")	3.30 m (10'10")	4.20 m (13'9")	4.90 m (16'1")
Clamshell Grapples	CTV15-1000		○	●	●	●
Clamshell Grapples	CTV15-1200	●	○	○	●	●
Clamshell Grapples	CTV15-1500	○		○	○	○
Clamshell Grapples	CTV15-1700				○	○
Clamshell Grapples	CTV15-1900				○	○
Clamshell Grapples	CTV15-2300					

MH3022 *(continued)*

Undercarriage		MH (2.99 m)				
Counterweight		3.7 mt				
Boom Type		MH (6.4 m)			VA	
Stick Length		4.20 m (13'9")	4.90 m (16'1")	2.50 m (8'2")	2.80 m (9'2")	3.30 m (10'10")
Clamshell Grapples	CTV15-1000	●	●	●	○	●
Clamshell Grapples	CTV15-1200	○	○	○	○	○
Clamshell Grapples	CTV15-1500	○	○			○
Clamshell Grapples	CTV15-1700					
Clamshell Grapples	CTV15-1900					
Clamshell Grapples	CTV15-2300					

MH3022 *(continued)*

Undercarriage		MH (2.99 m)				
Counterweight		4.2 mt				
Boom Type		1 PC			MH (5.35 m)	
Stick Length		2.50 m (8'2")	2.80 m (9'2")	3.30 m (10'10")	4.20 m (13'9")	4.90 m (16'1")
Clamshell Grapples	CTV15-1000	●	○	●	●	●
Clamshell Grapples	CTV15-1200	●	○	○	●	●
Clamshell Grapples	CTV15-1500	○		○	●	○
Clamshell Grapples	CTV15-1700				○	○
Clamshell Grapples	CTV15-1900				○	○
Clamshell Grapples	CTV15-2300					

(continued on next page)

Clamshell Grapples Technical Specifications

Matching – Material Handlers *(continued)*

All Clamshell Grapples are Pin-on only.

1800 kg/m³ (3000 lb/yd³)
 1200 kg/m³ (2000 lb/yd³)
 900 kg/m³ (1500 lb/yd³)
 No Match

MH3022 *(continued)*

Undercarriage		MH (2.99 m)				
Counterweight		4.2 mt				
Boom Type		MH (6.4 m)		VA		
Stick Length		4.20 m (13'9")	4.90 m (16'1")	2.50 m (8'2")	2.80 m (9'2")	3.30 m (10'10")
Clamshell Grapples	CTV15-1000	●	●	●	○	●
Clamshell Grapples	CTV15-1200	○	○	○	○	○
Clamshell Grapples	CTV15-1500	○	○			○
Clamshell Grapples	CTV15-1700					
Clamshell Grapples	CTV15-1900					
Clamshell Grapples	CTV15-2300					

MH3022 *(continued)*

Undercarriage		MH (2.55 m)							
Counterweight		3.7 mt		4.2 mt		3.7 mt			
Boom Type		MH (5.35 m)	MH (6.4 m)	MH (5.35 m)	MH (6.4 m)	1 PC		MH (5.35 m)	
Stick Length		4.50 m (14'9")	4.50 m (14'9")	4.50 m (14'9")	4.50 m (14'9")	2.50 m (8'2")	2.90 m (9'6")	4.00 m (13'1")	4.50 m (14'9")
Clamshell Grapples	CTV15-1000	●	○	●	○	●	●	●	●
Clamshell Grapples	CTV15-1200	○		○		●	○	●	●
Clamshell Grapples	CTV15-1500			○		○	◇	○	○
Clamshell Grapples	CTV15-1700					○	◇	○	○
Clamshell Grapples	CTV15-1900					◇		◇	◇
Clamshell Grapples	CTV15-2300							◇	

MH3022 *(continued)*

Undercarriage		MH (2.55 m)				
Counterweight		3.7 mt				
Boom Type		MH (6.4 m)			VA	
Stick Length		4.00 m (13'1")	4.50 m (14'9")	5.00 m (16'5")	2.50 m (8'2")	2.90 m (9'6")
Clamshell Grapples	CTV15-1000	●	○	○	●	○
Clamshell Grapples	CTV15-1200	○	○	○	○	◇
Clamshell Grapples	CTV15-1500	◇	◇		◇	
Clamshell Grapples	CTV15-1700	◇			◇	
Clamshell Grapples	CTV15-1900					
Clamshell Grapples	CTV15-2300					

MH3024

Undercarriage		Front and Rear Outriggers				
Counterweight		4.1 mt				
Boom Type		1 PC		MH (6.8 m)	VA	
Stick Length		2.50 m (8'2")	2.90 m (9'6")	4.90 m (16'1")	2.50 m (8'2")	2.90 m (9'6")
Clamshell Grapples	CTV15-1000	●	○	○	●	○
Clamshell Grapples	CTV15-1200	○			○	
Clamshell Grapples	CTV15-1500					
Clamshell Grapples	CTV15-1700					
Clamshell Grapples	CTV15-1900					
Clamshell Grapples	CTV15-2300					

(continued on next page)

Clamshell Grapples Technical Specifications

Matching – Material Handlers *(continued)*

All Clamshell Grapples are Pin-on only.

1800 kg/m³ (3000 lb/yd³)

1200 kg/m³ (2000 lb/yd³)

900 kg/m³ (1500 lb/yd³)

No Match

MH3024 *(continued)*

Undercarriage		Front and Rear Outriggers						
Counterweight		5.2 mt						
Boom Type		1 PC		MH (6.8 m)			VA	
Stick Length		2.50 m (8'2")	2.90 m (9'6")	4.80 m (15'9")	4.90 m (16'1")	5.90 m (19'4")	2.50 m (8'2")	2.90 m (9'6")
Clamshell Grapples	CTV15-1000	●	○	○	○	○	●	○
Clamshell Grapples	CTV15-1200	○			○		○	
Clamshell Grapples	CTV15-1500							
Clamshell Grapples	CTV15-1700							
Clamshell Grapples	CTV15-1900							
Clamshell Grapples	CTV15-2300							

MH3024 *(continued)*

Undercarriage		Front Outriggers; Rear Blade			
Counterweight		4.1 mt			
Boom Type		1 PC		VA	
Stick Length		2.50 m (8'2")	2.90 m (9'6")	2.50 m (8'2")	2.90 m (9'6")
Clamshell Grapples	CTV15-1000	●	○	●	○
Clamshell Grapples	CTV15-1200	○		○	
Clamshell Grapples	CTV15-1500				
Clamshell Grapples	CTV15-1700				
Clamshell Grapples	CTV15-1900				
Clamshell Grapples	CTV15-2300				

MH3024 *(continued)*

Undercarriage		Front Outriggers; Rear Blade				
Counterweight		5.2 mt				
Boom Type		1 PC		MH (6.8 m)	VA	
Stick Length		2.50 m (8'2")	2.90 m (9'6")	4.90 m (16'1")	2.50 m (8'2")	2.90 m (9'6")
Clamshell Grapples	CTV15-1000	●	○	○	●	○
Clamshell Grapples	CTV15-1200	○			○	
Clamshell Grapples	CTV15-1500					
Clamshell Grapples	CTV15-1700					
Clamshell Grapples	CTV15-1900					
Clamshell Grapples	CTV15-2300					

MH3024 *(continued)*

Undercarriage		MH (2.99 m)						
Counterweight		4.1 mt						
Boom Type		1 PC		MH (6.8 m)			VA	
Stick Length		2.50 m (8'2")	2.90 m (9'6")	4.80 m (15'9")	4.90 m (16'1")	5.90 m (19'4")	2.50 m (8'2")	2.90 m (9'6")
Clamshell Grapples	CTV15-1000	●	○	○	●	○	●	○
Clamshell Grapples	CTV15-1200	○		○	○	○	○	
Clamshell Grapples	CTV15-1500							
Clamshell Grapples	CTV15-1700							
Clamshell Grapples	CTV15-1900							
Clamshell Grapples	CTV15-2300							

(continued on next page)

Clamshell Grapples Technical Specifications

Matching – Material Handlers *(continued)*

All Clamshell Grapples are Pin-on only.

1800 kg/m³ (3000 lb/yd³)
 1200 kg/m³ (2000 lb/yd³)
 900 kg/m³ (1500 lb/yd³)
 No Match

MH3024 *(continued)*

Undercarriage		MH (2.99 m)							
Counterweight		5.2 mt							
Boom Type		1 PC			MH (6.8 m)			VA	
Stick Length		2.50 m (8'2")	2.90 m (9'6")	4.80 m (15'9")	4.90 m (16'1")	5.90 m (19'4")	2.50 m (8'2")	2.90 m (9'6")	
Clamshell Grapples	CTV15-1000	●	○	●	●	●	●	○	
Clamshell Grapples	CTV15-1200	○		○	●	○	○		
Clamshell Grapples	CTV15-1500			○	○				
Clamshell Grapples	CTV15-1700				○				
Clamshell Grapples	CTV15-1900								
Clamshell Grapples	CTV15-2300								

MH3024 *(continued)*

Undercarriage		Front Blade; Rear Outriggers					
Counterweight		4.2 mt					
Boom Type		1 PC			VA		
Stick Length		2.50 m (8'2")	2.80 m (9'2")	3.30 m (10'10")	2.50 m (8'2")	2.80 m (9'2")	3.30 m (10'10")
Clamshell Grapples	CTV15-1000	●	○	●	●	○	●
Clamshell Grapples	CTV15-1200	●	○	○	○	○	○
Clamshell Grapples	CTV15-1500	○		○			○
Clamshell Grapples	CTV15-1700						
Clamshell Grapples	CTV15-1900						
Clamshell Grapples	CTV15-2300						

MH3024 *(continued)*

Undercarriage		Front Outriggers; Rear Blade					
Counterweight		4.2 mt					
Boom Type		1 PC			VA		
Stick Length		2.50 m (8'2")	2.80 m (9'2")	3.30 m (10'10")	2.50 m (8'2")	2.80 m (9'2")	3.30 m (10'10")
Clamshell Grapples	CTV15-1000	●	○	●	●	○	●
Clamshell Grapples	CTV15-1200	●	○	○	○	○	○
Clamshell Grapples	CTV15-1500	○		○			○
Clamshell Grapples	CTV15-1700						
Clamshell Grapples	CTV15-1900						
Clamshell Grapples	CTV15-2300						

MH3024 *(continued)*

Undercarriage		MH (2.75 m)							
Counterweight		4.2 mt							
Boom Type		1 PC			MH (6.4 m)		VA		
Stick Length		2.50 m (8'2")	2.80 m (9'2")	3.30 m (10'10")	4.20 m (13'9")	4.90 m (16'1")	2.50 m (8'2")	2.80 m (9'2")	3.30 m (10'10")
Clamshell Grapples	CTV15-1000	●	○	●	●	●	●	○	●
Clamshell Grapples	CTV15-1200	●	○	○	○	○	○	○	○
Clamshell Grapples	CTV15-1500	○		○					○
Clamshell Grapples	CTV15-1700								
Clamshell Grapples	CTV15-1900								
Clamshell Grapples	CTV15-2300								

(continued on next page)

Clamshell Grapples Technical Specifications

Matching – Material Handlers *(continued)*

All Clamshell Grapples are Pin-on only.

● 1800 kg/m³ (3000 lb/yd³)

○ 1200 kg/m³ (2000 lb/yd³)

◇ 900 kg/m³ (1500 lb/yd³)

□ No Match

MH3024 *(continued)*

Undercarriage		MH (2.99 m)							
Counterweight		4.2 mt							
Boom Type		1 PC			MH (6.4 m)		VA		
Stick Length		2.50 m (8'2")	2.80 m (9'2")	3.30 m (10'10")	4.20 m (13'9")	4.90 m (16'1")	2.50 m (8'2")	2.80 m (9'2")	3.30 m (10'10")
Clamshell Grapples	CTV15-1000	●	○	●	●	●	●	○	●
Clamshell Grapples	CTV15-1200	●	○	○	○	○	○	○	○
Clamshell Grapples	CTV15-1500	○		○	○	○			○
Clamshell Grapples	CTV15-1700								
Clamshell Grapples	CTV15-1900								
Clamshell Grapples	CTV15-2300								

MH3024 *(continued)*

Undercarriage		Front Blade; Rear Outriggers				Front Outriggers; Rear Blade			
Counterweight		4.2 mt							
Boom Type		1 PC		VA		1 PC		VA	
Stick Length		2.50 m (8'2")	2.90 m (9'6")	2.50 m (8'2")	2.90 m (9'6")	2.50 m (8'2")	2.90 m (9'6")	2.50 m (8'2")	2.90 m (9'6")
Clamshell Grapples	CTV15-1000	●	●	●	○	●	●	●	○
Clamshell Grapples	CTV15-1200	●	○	○	◇	●	○	○	◇
Clamshell Grapples	CTV15-1500	○	◇	◇		○	◇	◇	
Clamshell Grapples	CTV15-1700	○	◇	◇		○	◇	◇	
Clamshell Grapples	CTV15-1900	◇				◇			
Clamshell Grapples	CTV15-2300								

MH3024 *(continued)*

Undercarriage		MH (2.75 m)					
Counterweight		4.2 mt					
Boom Type		1 PC		MH (6.4 m)		VA	
Stick Length		2.50 m (8'2")	2.90 m (9'6")	4.50 m (14'9")	5.00 m (16'5")	2.50 m (8'2")	2.90 m (9'6")
Clamshell Grapples	CTV15-1000	●	●	●	●	●	○
Clamshell Grapples	CTV15-1200	●	○	●	○	○	◇
Clamshell Grapples	CTV15-1500	○	◇	○	◇	◇	
Clamshell Grapples	CTV15-1700	○	◇	◇	◇	◇	
Clamshell Grapples	CTV15-1900	◇		◇			
Clamshell Grapples	CTV15-2300						

MH3024 *(continued)*

Undercarriage		MH (2.75 m)		
Counterweight		4.7 mt		
Boom Type		MH (6.4 m)		MH (7.45 m)
Stick Length		4.50 m (14'9")	5.00 m (16'5")	5.00 m (16'5")
Clamshell Grapples	CTV15-1000	●	●	○
Clamshell Grapples	CTV15-1200	●	○	○
Clamshell Grapples	CTV15-1500	○	○	◇
Clamshell Grapples	CTV15-1700	○	◇	
Clamshell Grapples	CTV15-1900	◇	◇	
Clamshell Grapples	CTV15-2300			

(continued on next page)

Clamshell Grapples Technical Specifications

Matching – Material Handlers *(continued)*

All Clamshell Grapples are Pin-on only.

1800 kg/m³ (3000 lb/yd³)
 1200 kg/m³ (2000 lb/yd³)
 900 kg/m³ (1500 lb/yd³)
 No Match

MH3024 *(continued)*

Undercarriage		MH (2.99 m)					
Counterweight		4.2 mt					
Boom Type		1 PC		MH (6.4 m)		VA	
Stick Length		2.50 m (8'2")	2.90 m (9'6")	4.50 m (14'9")	5.00 m (16'5")	2.50 m (8'2")	2.90 m (9'6")
Clamshell Grapples	CTV15-1000	●	●	●	●	●	○
Clamshell Grapples	CTV15-1200	●	○	●	●	○	◇
Clamshell Grapples	CTV15-1500	○	◇	○	○	◇	
Clamshell Grapples	CTV15-1700	○	◇	○	◇	◇	
Clamshell Grapples	CTV15-1900	◇		◇	◇		
Clamshell Grapples	CTV15-2300			◇			

MH3024 *(continued)*

Undercarriage		MH (2.99 m)		
Counterweight		4.7 mt		
Boom Type		MH (6.4 m)		MH (7.45 m)
Stick Length		4.50 m (14'9")	5.00 m (16'5")	5.00 m (16'5")
Clamshell Grapples	CTV15-1000	●	●	●
Clamshell Grapples	CTV15-1200	●	●	○
Clamshell Grapples	CTV15-1500	○	○	◇
Clamshell Grapples	CTV15-1700	○	○	◇
Clamshell Grapples	CTV15-1900	○	◇	
Clamshell Grapples	CTV15-2300	◇		

MH3026

Undercarriage		Front Blade; Rear Outriggers				
Counterweight		5.2 mt				
Boom Type		1 PC		MH (6.8 m)	VA	
Stick Length		2.50 m (8'2")	2.90 m (9'6")	4.90 m (16'1")	2.50 m (8'2")	2.90 m (9'6")
Clamshell Grapples	CTV15-1000	●	○	○	●	○
Clamshell Grapples	CTV15-1200	○			○	
Clamshell Grapples	CTV15-1500					
Clamshell Grapples	CTV15-1700					
Clamshell Grapples	CTV15-1900					

MH3026 *(continued)*

Undercarriage		Front Outriggers; Rear Blade				
Counterweight		5.2 mt				
Boom Type		1 PC		MH (6.8 m)	VA	
Stick Length		2.50 m (8'2")	2.90 m (9'6")	4.90 m (16'1")	2.50 m (8'2")	2.90 m (9'6")
Clamshell Grapples	CTV15-1000	●	○	○	●	○
Clamshell Grapples	CTV15-1200	○			○	
Clamshell Grapples	CTV15-1500					
Clamshell Grapples	CTV15-1700					
Clamshell Grapples	CTV15-1900					

(continued on next page)

Clamshell Grapples Technical Specifications

Matching – Material Handlers *(continued)*

All Clamshell Grapples are Pin-on only.

● 1800 kg/m³ (3000 lb/yd³)

○ 1200 kg/m³ (2000 lb/yd³)

◇ 900 kg/m³ (1500 lb/yd³)

□ No Match

MH3026 *(continued)*

Undercarriage		MH (2.75 m)							
Counterweight		5.2 mt							
Boom Type		1 PC		MH (6.8 m)				VA	
Stick Length		2.50 m (8'2")	2.90 m (9'6")	4.80 m (15'9")	4.90 m (16'1")	5.50 m (18'1")	5.90 m (19'4")	2.50 m (8'2")	2.90 m (9'6")
Clamshell Grapples	CTV15-1000	●	○	○	●	●	○	●	○
Clamshell Grapples	CTV15-1200	○		○	○	○	○	○	
Clamshell Grapples	CTV15-1500				○				
Clamshell Grapples	CTV15-1700								
Clamshell Grapples	CTV15-1900								

MH3026 *(continued)*

Undercarriage		MH (2.99 m)							
Counterweight		5.2 mt							
Boom Type		1 PC		MH (6.8 m)				VA	
Stick Length		2.50 m (8'2")	2.90 m (9'6")	4.80 m (15'9")	4.90 m (16'1")	5.50 m (18'1")	5.90 m (19'4")	2.50 m (8'2")	2.90 m (9'6")
Clamshell Grapples	CTV15-1000	●	○	●	●	●	●	●	○
Clamshell Grapples	CTV15-1200	○		○	●	○	○	○	
Clamshell Grapples	CTV15-1500			○	○	○			
Clamshell Grapples	CTV15-1700				○				
Clamshell Grapples	CTV15-1900								

MH3026 *(continued)*

Undercarriage		MH (2.99 m)		
Counterweight		5.7 mt		
Boom Type		MH (6.9 m)	MH (7.5 m)	
Stick Length		5.50 m (18'1")	5.50 m (18'1")	6.00 m (19'8")
Clamshell Grapples	CTV15-1000	●	●	●
Clamshell Grapples	CTV15-1200	●	○	○
Clamshell Grapples	CTV15-1500	○	○	◇
Clamshell Grapples	CTV15-1700	○	◇	◇
Clamshell Grapples	CTV15-1900	◇		

(continued on next page)

Clamshell Grapples Technical Specifications

Matching – Material Handlers *(continued)*

All Clamshell Grapples are Pin-on only.

● 1800 kg/m³ (3000 lb/yd³)

○ 1200 kg/m³ (2000 lb/yd³)

◇ 900 kg/m³ (1500 lb/yd³)

□ No Match

MH3040

Undercarriage		MH		MH (solid tire)	
Counterweight		7.7 mt		7.7 mt	
Boom Type		MH		MH	
Stick Length		5.70 m (18'8")	7.10 m (23'4")	5.70 m (18'8")	7.10 m (23'4")
Clamshell Grapples	CTV15-1000	●	●	●	●
Clamshell Grapples	CTV15-1200	●	●	●	●
Clamshell Grapples	CTV15-1500	●	●	●	●
Clamshell Grapples	CTV15-1700	●	○	●	○
Clamshell Grapples	CTV15-1900	○	○	○	○
Clamshell Grapples	CTV15-2300	○	◇	○	◇
Clamshell Grapples	CTV20-1300	●	●	●	●
Clamshell Grapples	CTV20-1500	○	○	●	○
Clamshell Grapples	CTV20-1700	○	○	○	○
Clamshell Grapples	CTV20-1900	○	○	○	○
Clamshell Grapples	CTV20-2300	◇	◇	◇	◇
Clamshell Grapples	CTV20-2700	◇		◇	

MH3250

Undercarriage		MH	
Counterweight		6.8 mt	
Boom Type		MH	
Stick Length		6.10 m (20'0")	7.60 m (24'11")
Clamshell Grapples	CTV20-1300	●	◇
Clamshell Grapples	CTV20-1500	○	◇
Clamshell Grapples	CTV20-1700	○	
Clamshell Grapples	CTV20-1900	○	
Clamshell Grapples	CTV20-2300	◇	
Clamshell Grapples	CTV30-1700	◇	
Clamshell Grapples	CTV30-1900	◇	

MH3260

Undercarriage		MH	
Counterweight		12.0 mt	
Boom Type		MH	
Stick Length		7.40 m (24'3")	9.10 m (29'10")
Clamshell Grapples	CTV30-1700	○	◇
Clamshell Grapples	CTV30-1900	○	
Clamshell Grapples	CTV30-2300	◇	
Clamshell Grapples	CTV30-2700	◇	



For more complete information on Cat products, dealer services, and industry solutions, visit us on the web at www.cat.com

© 2022 Caterpillar
All rights reserved

Materials and specifications are subject to change without notice. Featured machines in photos may include additional equipment. See your Cat dealer for available options.

CAT, CATERPILLAR, LET'S DO THE WORK, their respective logos, "Caterpillar Corporate Yellow," the "Power Edge" and Cat "Modern Hex" trade dress as well as corporate and product identity used herein, are trademarks of Caterpillar and may not be used without permission.

GEJQ0385 (06-2022)
(Afr-ME, CIS, Eur,
N Am, S Am)

