

R2900G XTRA

Underground Mining
Loader



Engine

Engine Model	Cat® 3406E EUI ATAAC	
Gross Power	282 kW	378 hp
Flywheel Power	306 kW	410 hp

Weights

Empty	56 000 kg	123,459 lb
-------	-----------	------------

Bucket Capacities

Bucket Capacity - Std.	8.9 m ³	11.7 yd ³
------------------------	--------------------	----------------------

Engine

Engine Model	Cat 3406E EUI ATAAC	
Gross Power	282 kW	378 hp
Flywheel Power	306 kW	410 hp
Gross Power SAE	282 kW	378 hp
Gross Power ISO	282 kW	378 hp
Gross Power EEC	282 kW	378 hp
Bore	137 mm	5.4 in
Stroke	165 mm	6.5 in
Displacement	14.6 L	893.9 in ³
Engine RPM	2100 RPM	

Operating Specifications

Operating Weight	56 000 kg	123,459 lb
Rated Payload - Tramming	20 000 kg	44,092 lb
Rated Payload - Loading	17 200 kg	37,919 lb
Static Tipping Load	45 782 kg	100,940 lb
Breakout Force (SAE)	25 100 kg	55,340 lb

Weights

Empty	56 000 kg	123,459 lb
Loaded	76 000 kg	167,551 lb

Transmission

Forward 1	5.3 kph	3.3 mph
Forward 2	9.3 kph	5.8 mph
Forward 3	16.4 kph	10.2 mph
Forward 4	24.2 kph	15 mph
Reverse 1	6.6 kph	4.1 mph
Reverse 2	11.6 kph	7.2 mph
Reverse 3	19.2 kph	11.9 mph
Reverse 4	27 kph	16.8 mph

Hydraulic Cycle Time

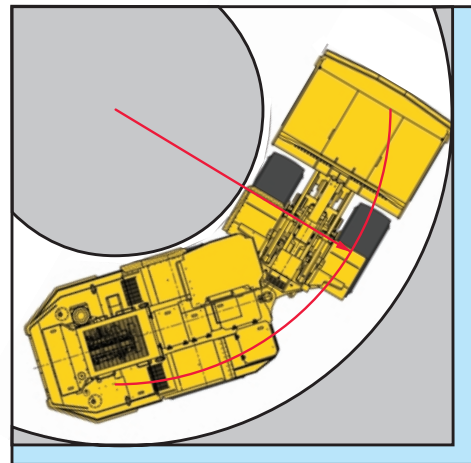
Raise	7.6 Seconds	
Dump	2.8 Seconds	
Lower, empty, float down	2.4 Seconds	
Total Cycle Time	11.9 Seconds	

Bucket Capacities

Bucket Capacity - Std.	8.9 m ³	11.7 yd ³
Bucket Width	3454 mm	136 in

Turning Dimensions

Outside Turning Radius	7511 mm	295.7 in
Axle Oscillation	8°	
Articulation Angle	42.5°	



Tires

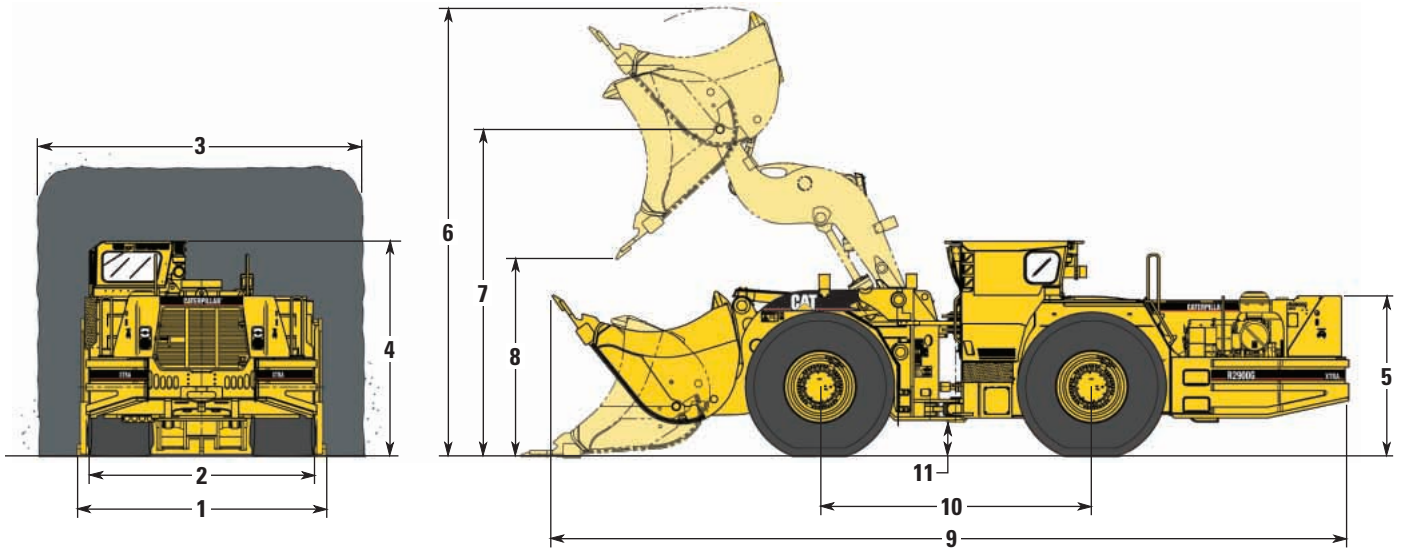
Tire Size	35/65R33 VSDL Radials
-----------	-----------------------

Standards

Brakes	ISO3450, AS2958.1, CAN-CSA424.30-M90
Cab/FOPS	ISO3449, SAEJ231, AS2294.3, EN13627
Cab/ROPS	ISO3471, SAEJ1040, AS2294, EN13510

Dimensions

All dimensions are approximate.



1	Overall Width	3454 mm	136 in
2	Overall Tire Width	3142 mm	123.7 in
3	Drive Width Clearance	4500 mm	177.2 in
4	Height to Top of ROPS	2988 mm	117.6 in
5	Height to Top of Hood	2227 mm	87.7 in
6	Overall Height - Bucket Raised	2726 mm	107.3 in

7	Bucket Pin Height at Max Lift	4541 mm	178.8 in
8	Dump Clearance at Maximum Lift	6235 mm	245.5 in
9	Overall Length	11 083 mm	436.4 in
10	Wheelbase	3780 mm	148.8 in
11	Ground Clearance	467 mm	18.4 in

R2900G XTRA Underground Mining Loader

For more complete information on Cat products, dealer services, and industry solutions, visit us on the web at www.CAT.com

© 2004 Caterpillar
All Rights Reserved
Printed in U.S.A.

Materials and specifications are subject to change without notice.
Featured machines in photos may include additional equipment.
See your Caterpillar dealer for available options.

AEHQ5609 (11-04)

CATERPILLAR[®]