



Cat[®]

PM620 and PM622

COLD PLANER

FEATURES:

■ Advanced Milling System

- Automatic plunge-cut ensures repeatable, precise starting cuts and reduces wear on machine
- Ramp-in, Ramp-out capability
- Automatic Load Control
- Optional Cat[®] Grade Control
- Enhanced flush cut capability

■ Heavy-duty Powertrain

- Powerful Cat C18 ACERT™ engine meets regional emission standards
- Delivers 470 kW (630 hp) gross power

■ Simplified Service

- Large service doors provide quick, easy access
- Electrical system color coded, numbered for easy identification and wrapped in braid for protection
- Extended hydraulic oil service intervals: 3,000 hours without oil sampling, 6,000 hours with oil sampling
- Accessory Drive System provides full operational control of main machine functions for assisted machine movement during maintenance and service
- Electronic Control Module (ECM) monitors engine and systems, alerting operator to performance issues and providing troubleshooting information; full Cat Electronic Technician (Cat ET) support
- Convenient parts availability and dealer locations

■ Robust Cutting System

- Heavy-duty dry clutch
- Three cutting speeds, electronic selection
- Rotor driven by two molded, five-rib, high tensile belts
- Automatic belt-tensioning prevents slippage
- Reinforced cutting chamber offers enhanced durability

■ Productive Work Environment

- Dual operating stations for better control and visibility
- Controls are backlit and easy to use
- Optional suspension seat
- Optional remote cameras enhance visibility
- Excellent work area lighting for worry-free low-light operation
- Optional Cat Grade Control control boxes can be positioned in multiple locations and can control either side of machine
- Optional Power Canopy
- Optional Dust Abatement System

■ Optimal Maneuverability and Control

- Dual pump hydraulic propel system
- Four steering modes with advanced true-tracking steering optimization
- Traction control system reduces slippage
- Ride control provides smooth travel



- 1 Optional Power Canopy with Optional Windscreens
- 2 Cat C18 ACERT Engine
- 3 Sideplates with position-sensing cylinders
- 4 Optional Cat Grade Control

- 5 Optional Suspension Seats
- 6 Folding Loading Conveyor
- 7 Optional Dust Abatement System
- 8 Optional Remote Camera



PM620 and PM622 Cold Planer

Specifications

Operating Weight*

PM620	33 330 kg (73,260 lb)
PM622	33 900 kg (74,580 lb)

Transport Weight**

PM620	29 400 kg (64,680 lb)
PM622	30 000 kg (66,000 lb)

Powertrain

Engine Model	Cat C18 ACERT
Global Emissions	US EPA Tier 4 Final / EU Stage IV or Tier 3 / Stage IIIA / China Stage III equivalent
Gross Power - ISO 14396	470 kW (630 hp)
Operating Speed	100 m/min (328 ft/min)
Maximum Travel Speed	5.9 km/h (3.7 mph)

Cutting System

PM620 Milling Width	2010 mm (79.1 in)
Number of Bits	178
PM622 Milling Width	2235 mm (88 in)
Number of Bits	193
Maximum Cutting Depth	330 mm (13 in)
Rotor Speeds	100 / 109 / 118 rpm
Minimum Left Cutting Radius	2.00 m (6.56 ft)
Minimum Right Cutting Radius- PM620	2.00 m (6.56 ft)
Minimum Right Cutting Radius- PM622	1.80 m (5.91 ft)

Service Refill Capacities

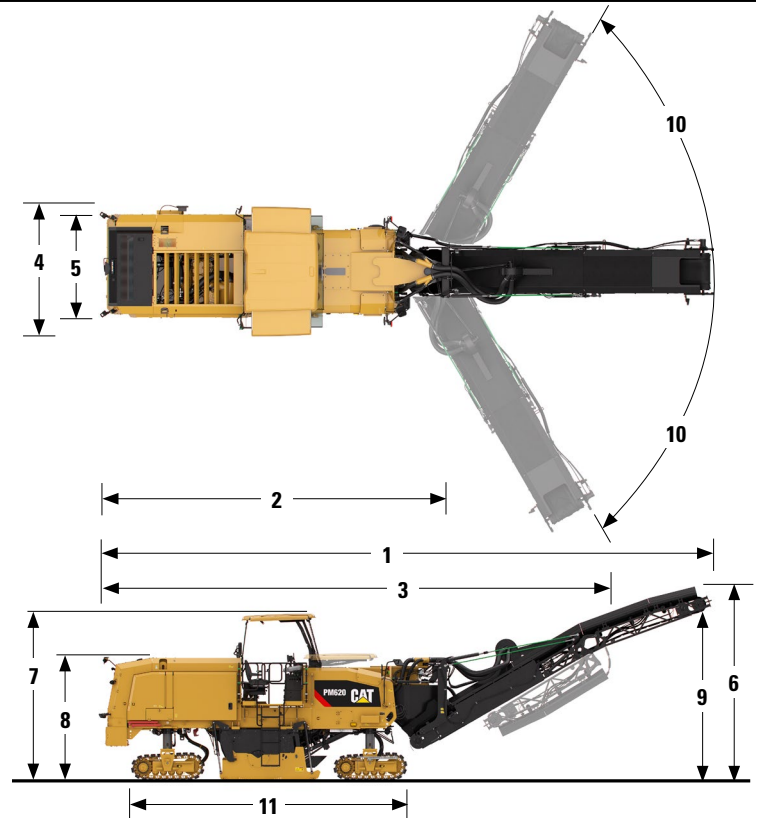
Fuel Tank	1108 L (288.1 gal)
Diesel Exhaust Fluid (DEF) Tank	47 L (12.2 gal)
Cooling System	85 L (22.1 gal)
Engine Oil	65 L (16.9 gal)
Hydraulic Oil	113 L (29.4 gal)
Water Tank	3400 L (898 gal)

* Operating Weights are approximate and include coolant, lubricants, full fuel tank, full water tank and 75 kg (165 lb) operator.

** Transport Weights are approximate and include coolant, lubricants, 50% full fuel tank, and empty water tank.

Optional Equipment

- Cat Grade Control
- Warning Beacon
- Power Canopy
- Windscreens for Canopy
- Product Link™
- Additional Touchscreen Display
- Additional Water Spray System
- Cat Diamond Bits
- Rotor Turning Device
- Inboard Averaging Ski
- Suspension Seats
- Dust Abatement System
- Bit Bucket Trays
- Remote Cameras
- High Pressure Washdown System
- Water Tank Refill Pump
- Fuel Transfer Pump
- Commissioning Support



Dimensions

1 Overall Length, Conveyor Up	14.52 m	47.62 ft
2 Length of Base Machine	8.33 m	27.33 ft
3 Transport Length	12.43 m	40.79 ft
4 Overall Machine Width	2.79 m	9.15 ft
5 Transport Width, PM620	2.50 m	8.20 ft
Transport Width, PM622	2.70 m	8.83 ft
6 Maximum Height, Raised Conveyor	5.37 m	17.6 ft
7 Height to Canopy	4.05 m	13.29 ft
8 Transport Height	3.00 m	9.84 ft
9 Maximum Truck Clearance	4.86 m	15.95 ft
10 Conveyor Swing	±60° from center	
11 Length, Track to Track	6.69 m	21.95 ft

For more complete information on Cat products, dealer services, and industry solutions, visit us on the web at www.cat.com

QEHQ1977-03 (09/16)

Materials and specifications are subject to change without notice. Featured machines in photos may include additional equipment.

©2016 Caterpillar Inc.
All Rights Reserved.

CAT, CATERPILLAR, ACERT, BUILT FOR IT, their respective logos, "Caterpillar Yellow" and the "Power Edge" trade dress, as well as corporate and product identity used herein, are trademarks of Caterpillar and may not be used without permission.

Product ID: PM620, PM622

