



Cat® CW34

PNEUMATIC TIRE ROLLER

Top Features

The Cat® CW34 is an eight wheel pneumatic roller that features a modular ballast system and flexible operating weight of 10 000 kg to 27 000 kg (22,050 lb - 59,525 lb). This machine offers excellent visibility, ECO-mode operation, even compaction, and excels on a variety of materials due to its flexible air-on-the-run capability.

- **Exceptional Visibility and Control** with sliding and rotating operator's station, LCD display, touch-pad machine functions, and optional Compaction Control. This machine can be equipped with a Cab or ROPS.
- **Smooth Operating Powertrain** with electronic propel control and smooth braking system. The three speed hydrostatic propel system delivers excellent gradeability with speeds up to 19 km/hr (11.8 mph).
- **Versatile Compaction Performance** due to the flexible ballast system, oscillating front wheels, and optional air-on-the-run. Flexible ballast options include modular and non-modular steel, sand, and water. The modular steel ballast system can be easily added or removed, making it easy to adjust operating weights and match job site requirements.
- **Cat® Compaction Control** keeps the operator informed for higher performance and efficiency. Infrared temperature sensors combined with mapping keep the operator informed of when optimal conditions exist and where compaction has taken place. Temperature Mapping records data for future analysis, while Pass-Count Mapping keeps the operator informed of the number of passes made.
- **Best Lifetime Value** with ECO-mode operation, efficient engine, and durable rubber tires minimize life-time operating costs and maximize profit.

Specifications

Weights

Operating Weights*

			Load per Wheel
Base machine	10 000 kg	22,050 lb	1.25 mt
w/Water	13 000 kg	28,660 lb	1.62 mt
w/Wet sand	16 000 kg	35,275 lb	2.00 mt
w/Modular steel	16 450 kg	36,265 lb	2.05 mt
w/Modular steel w/water	19 450 kg	42,880 lb	2.43 mt
w/Modular steel w/wet sand	22 450 kg	49,495 lb	2.80 mt
w/Modular and non-modular steel	22 550 kg	49,715 lb	2.82 mt
w/Modular and non-modular steel w/water	24 700 kg	54,450 lb	3.08 mt
w/Modular and non-modular steel w/wet sand	27 000 kg	59,525 lb	3.38 mt

* Weights shown include 80 kg (176 lb) operator, full capacity fuel tank, full capacity water tank, Cab and all machine options. Weights are approximate and may vary by market due to standard and optional equipment requirements. Water and sand ballast are not supplied by the manufacturer.

Engine – Powertrain

Engine Model	Cat® C4.4 w/ACERT™ Technology	
Number of Cylinders	4	
Rated Speed	2200 rpm	
Bore	105 mm	4.13"
Stroke	127 mm	5"
Gross Power:		
Tier 4 Interim, Stage IIIB	98 kW	131 hp (l), 133.2 hp (m)
Tier 3, Stage IIIA Equivalent	96.5 kW	129 hp (l), 131.2 hp (m)

* Engine configuration varies by regional emission requirements.

Speed Ranges:

Low	0 - 6 km/hr	4 mph
Medium	0 - 12 km/hr	7 mph
High	0 - 19 km/hr	12 mph

Service Refill Capacities

Fuel Tank	270 L	71 gal
Cooling System	27 L	7 gal
Engine Oil	9 L	2.4 gal
Hydraulic Tank	32 L	8.5 gal
Water Tank	380 L	100 gal
Emulsion Tank	40 L	10.5 gal

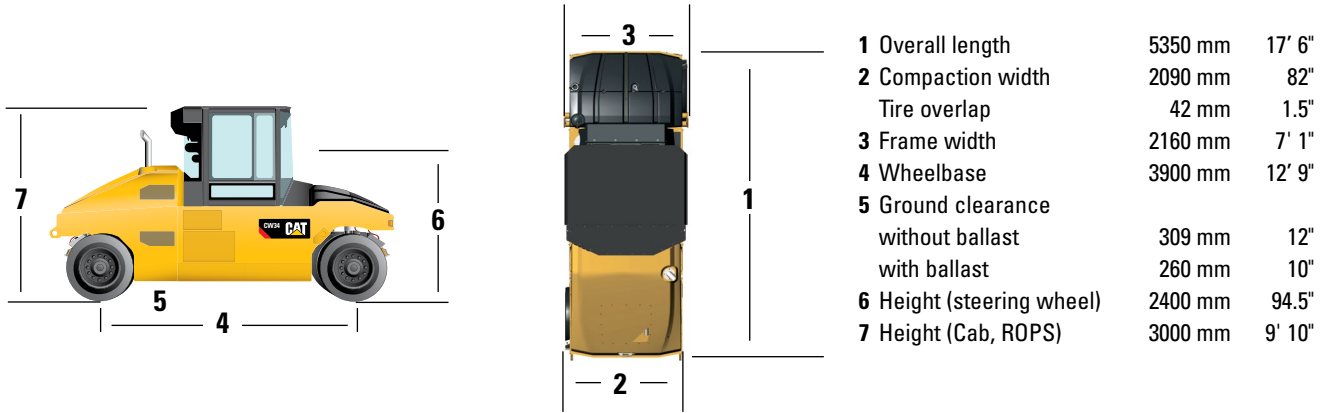
Standard Equipment

- 24-Volt Electrical System
- 3 m³ Water Tight Ballast Chamber
- 13/80-R20 Tires
- 100 Amp Alternator
- Eco-mode
- Front Wheel Suspension
- Halogen Working Lights
- LCD Operating Display
- Product Link Ready
- Pressurized Water Spray w/Triple Filtration
- Roading Lights
- Sliding Station w/180° Rotation
- Three-Speed Propel System
- Vinyl Seat with 76 mm (3") Wide Belt
- Wheel Oscillation, (front and rear)



CW34 Pneumatic Tire Roller

Dimensions



Ground Contact Pressures

Weight per Wheel

Tire Pressure	300 kpa	400 kpa	500 kpa	600 kpa	700 kpa	800 kpa	850 kpa	900 kpa	
	44 psi	58 psi	73 psi	87 psi	102 psi	116 psi	123 psi	131 psi	
Average Wheel Load	1500 kg 3,307 lb	242 kPa 35 psi	309 kPa 45 psi	406 kPa 59 psi	612 kPa 89 psi	680 kPa 99 psi	1038 kPa 151 psi	1265 kPa 184 psi	1587 kPa 230 psi
	2000 kg 4,410 lb	260 kPa 38 psi	299 kPa 43 psi	357 kPa 52 psi	462 kPa 67 psi	498 kPa 72 psi	628 kPa 91 psi	691 kPa 100 psi	764 kPa 111 psi
	2500 kg 5,512 lb	308 kPa 45 psi	322 kPa 47 psi	360 kPa 52 psi	429 kPa 62 psi	458 kPa 66 psi	539 kPa 78 psi	577 kPa 84 psi	618 kPa 90 psi
	3000 kg 6,614 lb	397 kPa 58 psi	369 kPa 54 psi	386 kPa 56 psi	433 kPa 63 psi	457 kPa 66 psi	516 kPa 75 psi	543 kPa 79 psi	573 kPa 83 psi
	3375 kg 7,441 lb	518 kPa 75 psi	423 kPa 61 psi	418 kPa 61 psi	448 kPa 65 psi	469 kPa 68 psi	517 kPa 75 psi	539 kPa 78 psi	564 kPa 82 psi

For more complete information on Cat products, dealer services, and industry solutions, visit us on the web at www.cat.com

QEHQ1595-03 (4-14)

© 2014 Caterpillar
All Rights Reserved

Materials and specifications are subject to change without notice. Featured machines in photos may include additional equipment. See your Cat dealer for available options.

CAT, CATERPILLAR, SAFETY.CAT.COM, their respective logos, "Caterpillar Yellow" and the "Power Edge" trade dress, as well as corporate and product identity used herein, are trademarks of Caterpillar and may not be used without permission.

