



Cat[®] 836K

LANDFILL COMPACTOR

Specifications

Engine

Engine Model	C18 ACERT™	
Emissions	U.S. EPA Tier 4 Final and EU Stage IV	
Rated Power (Lab)	414 kW	555 hp
Rated Power (Net ISO 14396)	412 kW	553 hp
Gross (SAE J1349)	419 kW	562 hp
Net Power – SAE J1349		
Direct Drive – Gross Power	370 kW	496 hp
Direct Drive – Torque Rise	52%	
Converter Drive – Gross Power	370 kW	496 hp
Converter Drive – Torque Rise	52%	
Maximum Gross Torque @ 1,300 rpm	3085 N-m	2,275 lbf-ft
Maximum Altitude without Derating	2286 m	7,500 ft
Bore	145 mm	5.71 in
Stroke	183 mm	7.2 in
Displacement	18.1 L	1,104.5 in ³
High Idle Speed	2,120 rpm	
Low Idle Speed	750 rpm	

Operating Specifications

Operating Weight with Full Tank Capacities and U-blade	55 927 kg	123,319 lb
--	-----------	------------

Transmission

Transmission Type	Planetary – Powershift – ECPC	
Travel Speeds		
Forward – Converter 1st	6.2 km/h	3.9 mph
Forward – Lockup 1st	6.5 km/h	4 mph
Forward – Converter 2nd	10.9 km/h	6.8 mph
Forward – Lockup 2nd	11.7 km/h	7.3 mph
Reverse – Converter 1st	6.5 km/h	4 mph
Reverse – Lockup 1st	6.9 km/h	4.3 mph
Reverse – Converter 2nd	10.4 km/h	6.5 mph
Reverse – Lockup 2nd	12.3 km/h	7.6 mph

Hydraulic System

Hydraulic System	Flow Sharing Implement	
Maximum Supply Pressure	32 000 kPa	4,640 psi
Main Relief Pressure	24 100 kPa	3,495 psi
Pump Flow at 2,006 rpm	250 L/min	66 gal/min
Steering System	Double Acting – End Mounted	
Bore	127 mm	5 in
Stroke	740 mm	29.1 in
Vehicle Articulation Angle	86°	
Lift System	Double Acting Cylinder	
Bore	137.9 mm	5.5 in
Stroke	1021 mm	40.2 in

Service Refill Capacities

Fuel Tank	793 L	209 gal
Cooling System	107 L	28 gal
Crankcase	60 L	16 gal
Diesel Engine Fluid Tank	32.8 L	9 gal
Transmission	120 L	32 gal
Differentials and Final Drives – Front	186 L	49 gal
Differentials and Final Drives – Rear	190 L	50 gal
Hydraulic System (tank only)	240 L	63 gal

- All non-road Tier 4 Final/Stage IV, and Japan (MLIT) Step 4 diesel engines are required to use:
 - Ultra Low Sulfur Diesel (ULSD) fuels containing 15 ppm (mg/kg) sulfur or less. Biodiesel blends up to B20 are acceptable when blended with 15 ppm (mg/kg) sulfur or less ULSD and when the biodiesel feedstock meets ASTM D7467 specifications.
 - Cat[®] DEO-ULS™ or oils that meet the Cat ECF-3, API CJ-4, and ACEA E9 specifications are required.

836K Landfill Compactor

Axles

Front	Planetary – Fixed
Rear	Planetary – Oscillating
Oscillation Angle	13°

Brakes

Control System	Full Hydraulic Split Circuit
Parking Brake	Spring Applied, Hydraulic Released

Cab

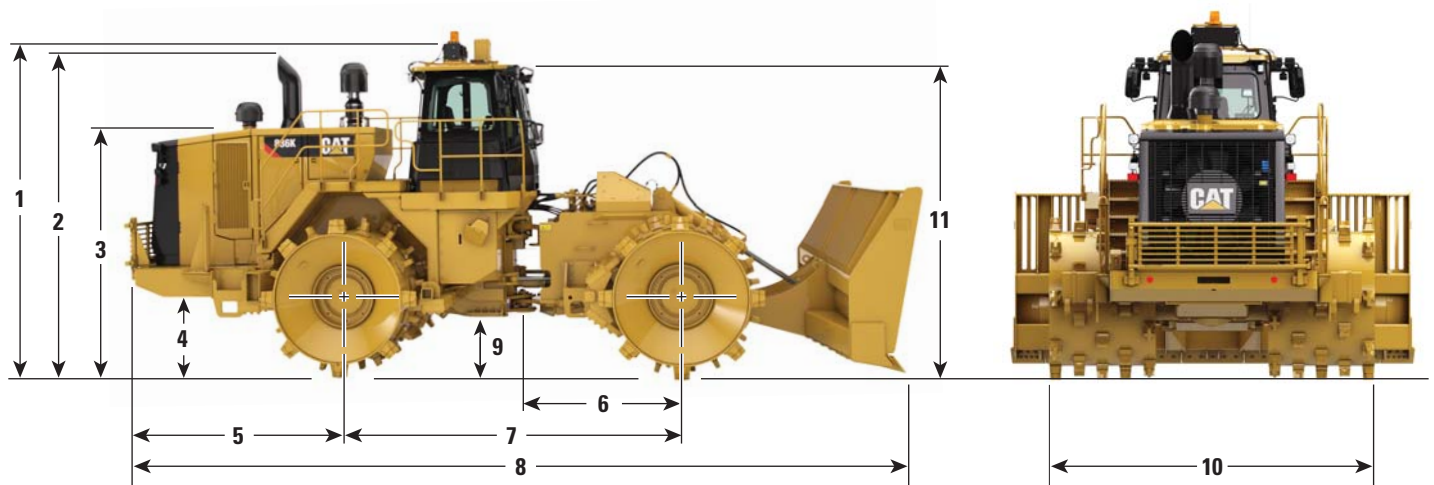
	Standard	Suppression
Interior Sound Level	72 dB(A)	71 dB(A)
Exterior Sound Level	111 dB(A)	109 dB(A)

Hydraulic System – Steering

Steering System – Circuit	Steering Double Acting – End Mounted
Steering System – Pump	Piston – Variable Displacement
Maximum Flow @ × rpm	52 L/min @ 2,006 rpm
Steering Pressure Limited	24 100 kPa 3,495 psi
Total Steering Angle	86 degrees

Wheels and Tips

Drum Width	1400 mm	4 ft 8 in
Drum Diameter	1770 mm	5 ft 10 in
Diameter with Tips	2125 mm	7 ft 0 in
Tips per Wheel	40	



Dimensions (all dimensions are approximate)

1	Height to Top of Cab with A/C	4655 mm	15 ft 3 in
2	Height to Top of Exhaust Pipe	4608 mm	15 ft 1 in
3	Height to Top of Hood	3421 mm	11 ft 3 in
4	Ground Clearance to Bumper	1029 mm	3 ft 5 in
5	Center Line of Rear Axle to Edge of Counterweight	3187 mm	10 ft 5 in
6	Hitch to Center Line of Front Axle	2275 mm	7 ft 6 in
7	Wheelbase	4550 mm	14 ft 11 in
8	Length with Blade on Ground (straight blade)	10 182 mm	33 ft 5 in
9	Ground Clearance	632 mm	2 ft 1 in
10	Width over Wheels	4280 mm	14 ft 1 in
11	Height to ROPS/Canopy	4284 mm	14 ft 1 in
	Height to Top of Cab with Strobe	4845 mm	15 ft 11 in
	Turning Radius – Inside of Wheels	3635 mm	11 ft 11 in

STANDARD EQUIPMENT

POWER TRAIN

- Advanced Productivity Electronic Control Shifting (APECS)
- Air to air aftercooler
- Brakes, fully hydraulic, enclosed, wet multiple disc brakes
- Cat Clean Emission Module, insulated
- Electro hydraulic parking brake
- Engine, Cat C18 with ACERT Technology
- U.S. EPA Tier 4/EU Stage IV Technology
- Fuel priming pump, electric
- Fuel to air cooler
- Ground level engine shutoff
- Guard (3 piece) transmission
- Heat shield, turbo and exhaust manifold
- Hydraulically driven demand fan
- Integrated braking
- Radiator, Next Generation Modular (NGMR)
- Separated cooling system
- Starting aid (ether) automatic
- Throttle lock
- Torque converter with lockup clutch (LUC)
- Turbine precleaner, engine air intake
- Transmission, planetary, with 2F/2R speed range control
- Underhood ventilation system

ELECTRICAL

- Alarm, back-up
- Alternator, 150 amp
- Batteries, maintenance-free (4-1,000 CCA)
- Converter, 10-15 amp, 24V to 12V
- Lighting system, halogen (front and rear)
- Lighting, access stairway
- Starter, electric (heavy duty)
- Starter lockout (ground level)
- Starting receptacle for emergency start
- Transmission lockout (ground level)

OPERATOR ENVIRONMENT

- Air conditioner
- Cab, sound-suppressed and pressurized
- Internal four-post rollover protective structure (ROPS/FOPS)
- Radio ready for (entertainment) includes antenna, speakers and converter (12V, 10-15 amp) 12V power port for mobile phone or laptop connection
- Camera, rear vision
- Coat and hard hat hooks
- Flip-up armrest
- Heater and defroster
- Horn, electric
- Hydraulic controls (floor mounted)
- Implement hydraulic lockout
- Laminated glass
- Light, (dome) cab
- Lunchbox and beverage holders
- Instrumentation, Gauges
 - DEF fluid level
 - Hydraulic oil temperature
 - Speedometer/tachometer
 - Torque converter temperature
- Instrumentation, Warning Indicators
 - Action alert system, three category
 - Axle/brake oil temp, front
 - Brake oil pressure
 - Electrical system, low voltage
 - Engine failure malfunction alert and action lamp
- Mirrors, rearview (externally mounted)
- Parking brake status
- Radio, CB (ready)
- Seat, Cat Comfort, (cloth) air suspension
- Seat belt, retractable, 76 mm (3") wide
- STIC Control System with steering lock
- Sun visor, front
- Tinted glass
- Transmission gear (indicator)
- Vital Information Management System (VIMS) with graphical information display: external data port, customizable operator profiles
- Wet-arm wipers/washers (front and rear)
- Intermittent wipers (front and rear)

WHEELS

- Wheels, paddle and plus tip

GUARDS

- Guards, axle (front and rear)
- Guards, cab window
- Guards, crankcase and power train, hydraulically powered
- Guards, rear fan and grill

BLADES

- Bulldozer arrangement is included in the standard equipment. Bulldozer blades are optional.

FLUIDS

- Antifreeze, premixed 50% concentration of extended life coolant with freeze protection to -34° C (-29° F)

OTHER STANDARD EQUIPMENT

- Auto Blade Positioner (ABP)
- Counterweight
- Demand fan/swing out (hydraulic reversible)
- Doors, service access locking
- Ecology drains for engine, radiator, hydraulic tank
- Electronic clutch pressure control and remote mounted pressure taps
- Emergency platform egress
- Engine, crankcase, 250 hour interval with CJ-4 oil
- Fuel tank, 793 L (210 gal)
- Hitch, drawbar with pin
- Hoses, Cat XT™
- Hydraulic oil cooler
- Hydraulic, steering and brake filtration/ screening system
- Oil sampling valves
- Product Link™
- Stairways, fixed-L/R (rear access)
- Steering, load sensing
- Vandalism protection caplocks
- Venturi stack

836K Landfill Compactor

OPTIONAL EQUIPMENT

- 4-Hydraulic belly guard actuators
- Additional starter and batteries
- Cab, rubber mounted glass
- Cleaner finger arrangement
- Fast fill fuel
- Flashing strobe
- Fuel line heater
- Heated and ventilated seat
- Heated mirrors
- High speed oil change
- Optimax engine precleaner dust ejector
- Panoramic mirror
- Premium LED lights
- Radio, AM/FM/CD/MP3
- Radio, Sirius/USB/Bluetooth
- RESPA cab precleaner
- Seat belt reminder
- Sound suppression
- Swingout stairs
- Various blades
 - Straight blade
 - U-blade
 - Semi U-blade
- Various tip and wheel arrangements
 - Paddle
 - Plus

For more complete information on Cat products, dealer services, and industry solutions, visit us on the web at www.cat.com

© 2013 Caterpillar Inc.
All Rights Reserved
Printed in U.S.A.

Materials and specifications are subject to change without notice. Featured machines in photos may include additional equipment. See your Cat dealer for available options.

CAT, CATERPILLAR, SAFETY.CAT.COM, their respective logos, "Caterpillar Yellow" and the "Power Edge" trade dress, as well as corporate and product identity used herein, are trademarks of Caterpillar and may not be used without permission.

AEHQ7084-01 (08-13)
Replaces AEHQ7084

