



Cat[®] 773G

OFF-HIGHWAY TRUCK

Specifications

Engine (Tier 4 Final)

Engine Model	Cat [®] C27 ACERT™	
Rated Engine Speed	1,800 rpm	
Gross Power – SAE J1995	578 kW	775 hp
Net Power – SAE J1349	534 kW	717 hp
Net Power – ISO 9249	540 kW	724 hp
Net Power – 80/1269/EEC	540 kW	724 hp
Engine Power – ISO 14396	568 kW	762 hp
Peak Torque Speed	1,200 rpm	
Net Torque	3992 N·m	2,944 lb·ft
Bore	137 mm	5.4 in
Stroke	152 mm	6 in
Displacement	27 L	1,648 in ³

Engine (Tier 2 Equivalent)

Engine Model	Cat [®] C27 ACERT™	
Rated Engine Speed	2,000 rpm	
Gross Power – SAE J1995	578 kW	775 hp
Net Power – SAE J1349	546 kW	733 hp
Net Power – ISO 9249	552 kW	741 hp
Net Power – 80/1269/EEC	552 kW	741 hp
Engine Power – ISO 14396	569 kW	763 hp
Peak Torque Speed	1,300 rpm	
Net Torque	3646 N·m	2,689 lb·ft
Bore	137 mm	5.4 in
Stroke	152 mm	6 in
Displacement	27 L	1,648 in ³

- Power rating applies at 2,000 rpm when tested under the specified condition for the specified standard.
- Ratings based on SAE J1995 standard air conditions of 25° C (77° F) and 100 kPa (29.61 Hg) barometer. Power based on fuel having API gravity of 35 at 16° C (60° F) and an LHV of 42 780 kJ/kg (18,390 BTU/lb) when engine used at 30° C (86° F).
- No engine derating required up to 3048 m (10,000 ft) for Tier 4 Final and 3810 m (12,500 ft) for Tier 2 Equivalent.
- Not regulated under EU Stage IV regulations due to power rating above 560 kW (750 hp).

Transmission (Tier 4 Final)

Forward 1	10.6 km/h	6.6 mph
Forward 2	15.0 km/h	9.3 mph
Forward 3	20.3 km/h	12.6 mph
Forward 4	27.0 km/h	16.8 mph
Forward 5	36.7 km/h	22.8 mph
Forward 6	49.4 km/h	30.7 mph
Forward 7	66.9 km/h	41.6 mph
Reverse	14.0 km/h	8.7 mph

Transmission (Tier 2 Equivalent)

Forward 1	10.8 km/h	6.7 mph
Forward 2	15.1 km/h	9.4 mph
Forward 3	20.4 km/h	12.7 mph
Forward 4	27.4 km/h	17.0 mph
Forward 5	37.0 km/h	23.0 mph
Forward 6	50.1 km/h	31.1 mph
Forward 7	67.6 km/h	42.0 mph
Reverse	14.1 km/h	8.8 mph

- Maximum travel speeds with standard 24.00R35 (E4) tires.

773G Off-Highway Truck

Final Drives

Differential Ratio	3.64:1
Planetary Ratio	4.80:1
Total Reduction Ratio	17.49:1

Brakes

Brake Surface – Front	655 cm ²	257 in ²
Brake Surface – Rear	61 269 cm ²	9,497 in ²
Brake Standards	ISO 3450:1996	

Body Hoists (Tier 4 Final)

Pump Flow – High Idle	448 L/min	118 gal/min
Relief Valve Setting – Raise	17 250 kPa	2,502 psi
Relief Valve Setting – Lower	3450 kPa	500 psi
Body Raise Time – High Idle	10.0 seconds	
Body Lower Time – Float	14.0 seconds	
Body Power Down – High Idle	14.0 seconds	

Body Hoists (Tier 2 Equivalent)

Pump Flow – High Idle	448 L/min	118 gal/min
Relief Valve Setting – Raise	17 250 kPa	2,502 psi
Relief Valve Setting – Lower	3450 kPa	500 psi
Body Raise Time – High Idle	9.5 seconds	
Body Lower Time – Float	13.0 seconds	
Body Power Down – High Idle	13.0 seconds	

Capacity – Dual Slope – 100% Fill Factor

Struck	26.86 m ³	35.13 yd ³
Heaped 2:1 (SAE)	35.75 m ³	46.76 yd ³

Capacity – Flat Floor – 100% Fill Factor

Struck	26.25 m ³	34.33 yd ³
Heaped 2:1 (SAE)	35.49 m ³	46.41 yd ³

Weight Distributions – Approximate

Front Axle – Empty	53%
Front Axle – Loaded	35%
Rear Axle – Empty	47%
Rear Axle – Loaded	65%

Suspension

Empty Loaded Cylinder Stroke Front	234 mm	9.2 in
Empty Loaded Cylinder Stroke Rear	149 mm	5.8 in
Rear Axle Oscillation	8.1°	

Sound

Sound Standards

- The operator Equivalent Sound Pressure Level (Leq) is 76 dB(A) when SAE J1166 FEB2008 is used to measure the value for an enclosed cab. This is a work cycle sound exposure level. The cab was properly installed and maintained. The test was conducted with the cab doors and the cab windows closed.
- The exterior sound pressure level for the standard machine measured at a distance of 15 m (49 ft) according to the test procedures specified in SAE J88:2008, mid-gear moving operation is 86 dB(A).
- Hearing protection may be needed when operating with an open operator station and cab (when not properly maintained or doors/windows open) for extended periods or in a noisy environment.

Service Refill Capacities

Fuel Tank	795 L	210 gal
Cooling System	171 L	45 gal
Crankcase	90 L	24 gal
Differentials and Final Drives	145 L	38 gal
Steering Tank	36 L	9.5 gal
Steering System (includes tank)	54 L	14 gal
Brake/Hoist Hydraulic Tank	176 L	46.5 gal
Brake Hoist System	322 L	85 gal
Torque Converter/Transmission System HRC	70 L	18 gal
Torque Converter/Transmission System LRC	61 L	16 gal

Steering

Steering Standards	SAE J1511 FEB94 ISO 5010:1992	
Steer Angle	31°	
Turning Diameter – Front	23.5 m	77 ft 1 in
Turning Circle Clearance Diameter	26.1 m	85 ft 8 in

Tires

Standard Tire	24.00R35 (E4)
---------------	---------------

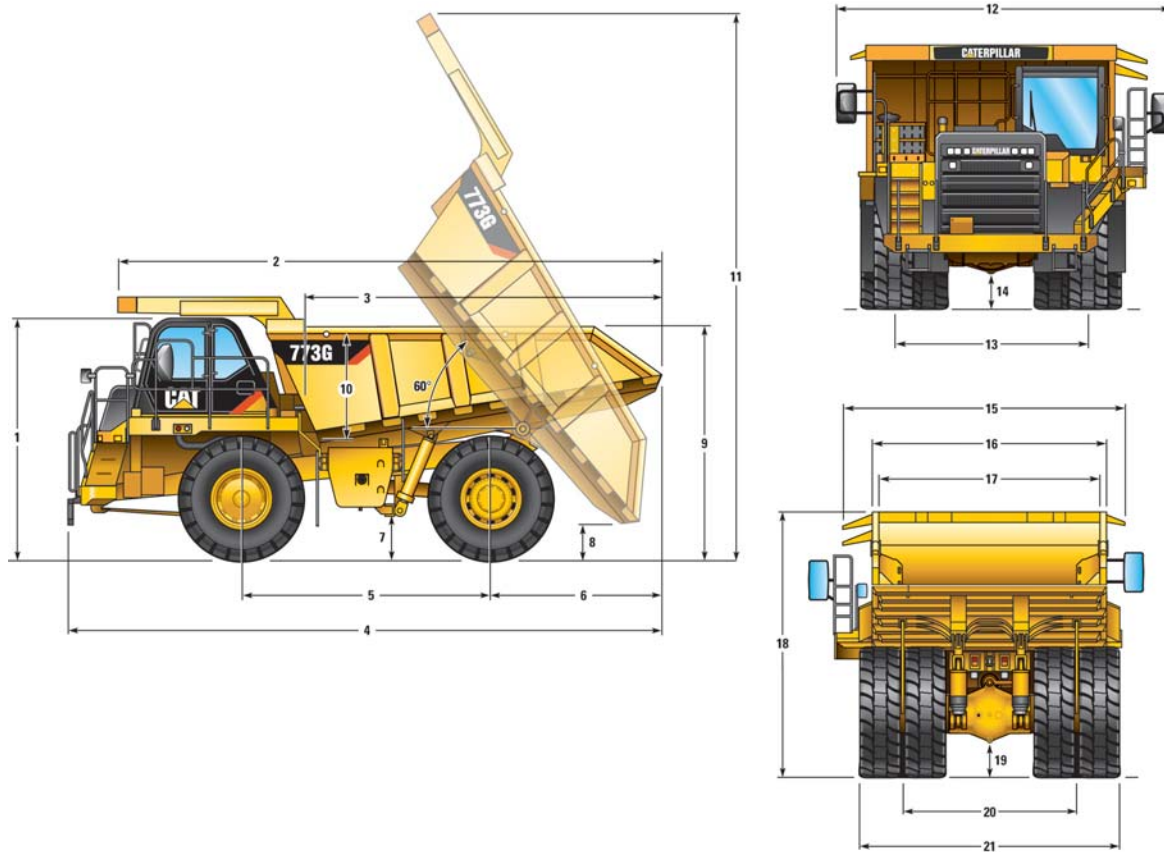
- Productive capabilities of the 773G truck are such that, under certain job conditions, TKPH (TMPH) capabilities of standard or optional tires could be exceeded and, therefore, limit production.
- Caterpillar recommends the customer evaluate all job conditions and consult the tire manufacturer for proper tire selection.

ROPS

ROPS/FOPS Standards

- ROPS (Rollover Protective Structure) for cab offered by Caterpillar meets ISO 3471:2008 ROPS criteria.
- FOPS (Falling Objects Protective Structure) meets ISO 3449:2005 Level II FOPS criteria.

773G Off-Highway Truck



Dimensions (All dimensions are approximate.)

	Dual Slope		Flat Floor	
	mm	ft	mm	ft
1 Height to Top of ROPS	4108 mm	13.48 ft	4108 mm	13.48 ft
2 Overall Body Length	9216 mm	30.24 ft	9293 mm	30.49 ft
3 Inside Body Length	6100 mm	20.01 ft	6100 mm	20.01 ft
4 Overall Length	10 070 mm	33.04 ft	10 146 mm	33.29 ft
5 Wheelbase	4215 mm	13.83 ft	4215 mm	13.83 ft
6 Rear Axle to Tail	2925 mm	9.60 ft	3006 mm	9.86 ft
7 Ground Clearance	759 mm	2.49 ft	759 mm	2.49 ft
8 Dump Clearance	639 mm	2.10 ft	640 mm	2.10 ft
9 Loading Height – Empty	3771 mm	12.37 ft	3771 mm	12.37 ft
10 Inside Body Depth – Maximum	1773 mm	5.82 ft	1727 mm	5.67 ft
11 Overall Height – Body Raised	9284 mm	30.46 ft	9280 mm	30.45 ft
12 Operating Width	5673 mm	18.61 ft	5673 mm	18.61 ft
13 Centerline Front Tire Width	3205 mm	10.52 ft	3205 mm	10.52 ft
14 Engine Guard Clearance	703 mm	2.31 ft	703 mm	2.31 ft
15 Overall Canopy Width	4886 mm	16.03 ft	4886 mm	16.03 ft
16 Outside Body Width	3922 mm	12.87 ft	3922 mm	12.87 ft
17 Inside Body Width	3654 mm	11.99 ft	3654 mm	11.99 ft
18 Front Canopy Height	4459 mm	14.63 ft	4459 mm	14.63 ft
19 Rear Axle Clearance	560 mm	1.84 ft	560 mm	1.84 ft
20 Centerline Rear Dual Tire Width	2929 mm	9.61 ft	2929 mm	9.61 ft
21 Overall Tire Width	4411 mm	14.47 ft	4411 mm	14.47 ft

773G Off-Highway Truck

STANDARD EQUIPMENT

POWER TRAIN

- Cat C27 ACERT Tier 4 Final diesel engine:
 - Air cleaner with precleaner (2)
 - Air-To-Air Aftercooler (ATAAC)
 - Electric start
 - Engine idle shutdown
 - Ether starting aid
 - Exhaust muffler

For Tier 4 regions only (U.S./Canada):

- Aftertreatment system
 - NO_x Reduction System (NRS)
 - Diesel Oxidation Catalyst (DOC)
- Demand fan
- MEUI-C fuel system

For non-regulated regions only:

- Direct drive fan
- MEUI-A fuel system
- Braking system:
 - Automatic Retarder Control (ARC)
 - Manual retarder (utilizes rear oil cooled, multiple disc brakes)
 - Brake release motor (towing)
 - Dry disc brakes (front)
 - Front brake disconnect switch (front)
 - Oil-cooled multiple disc brakes (rear)
 - Brake wear indicator (rear)
 - Parking brake
 - Secondary brake
 - Service brake
- Transmission:
 - 7 speed automatic powershift with
 - Electronic Clutch Pressure Control (ECPC)
 - Advanced Productivity Electronic Control Strategy (APECS)
 - Automatic neutral idle
 - Autostall
 - Second gear start

SUSPENSION SYSTEMS

- Suspension, front and rear (EU compliant)

ELECTRICAL

- Alarm backup
- Alternator, 120 Amp
- Autolube power supply ready
- Batteries, maintenance-free, 12V (2), 1,400 CCA combined

- Electrical system, 25 Amp, 24V to 12V converter
- Lighting system:
 - Backup light (halogen)
 - Directional signals/hazard warning (front and rear LED)
 - Engine compartment light
 - Headlights, (halogen) with dimmer
 - Operator access courtesy lights
 - Side profile lights
 - Stop/tail lights (LED)
- Service center containing:
 - Battery jump start
 - Breakers with spare fuses
 - Lock out switch
 - Ports, ET and VIMSTM
 - Service lockout switch (power without engine start)

TECHNOLOGY PRODUCTS

- Economy Modes, standard and adaptive
- Product Link, cellular or satellite
- Traction Control System (TCS)
- Truck Production Management System (TPMS)
- Vital Information Management System (VIMS)

OPERATOR ENVIRONMENT

- Advisor display:
 - Fluid level monitoring
 - Fuel level monitoring
 - Display languages (market based)
- Air conditioning/heat
- Automatic temperature control
- Ashtray and cigarette lighter
- Coat hook
- Cup holders (4)
- Diagnostic connection port, 24V
- Entertainment radio ready:
 - 5 amp converter
 - Speakers
 - Antenna
 - Wiring harness
- Foot rest
- Gauges/indicators:
 - Brake oil temperature gauge
 - Coolant temperature gauge
 - Engine overspeed indicator
 - Fuel level
 - Hour meter
 - Speedometer with odometer

- Tachometer
- Transmission gear indicator
- Hoist lever
- Horn
- Light – courtesy
- Light – dome
- Mirrors, non-heated
- Power port, 24V and 12V (2)
- Rollover Protection (ROPS)/Falling Object Protection (FOPS)
- Seat, Cat Comfort Series III:
 - Full air suspension
 - Retractable 3-point seat belt with shoulder harness
- Seat, training with lap belt
- Steering wheel, padded, tilt and telescopic
- Storage compartment
- Sun visor
- Throttle lock
- Window, hinged, right side (emergency exit)
- Window, powered, left side
- Windshield wiper intermittent and washer

GUARDS

- Driveline
- Engine crankcase
- Fan

FLUIDS

- Antifreeze
- Extended life coolant to –34° C (–30° F)
- Grouped ground-level filters

OTHER STANDARD EQUIPMENT

- Body down indicator
- Body safety pin (secures body in up position)
- Center mounted rims
- Fuel tank, 795 L (210 gal)
- Ground level battery disconnect
- Ground level engine shutdown
- Ground level grease fittings
- Operator Maintenance Manual (OMM)
- Rims 17 × 35
- Rock ejectors
- Secondary steering (electric)
- Tie down eyes
- Tow hooks (front)/tow pin (rear)
- Vandalism protection locks

OPTIONAL EQUIPMENT

- Body heat
- Body liner
- Body side boards
- Cab precleaner
- Cat Engine Brake
- Clustered grease fittings
- Cold weather packages
- Extended Life Brakes
- Fluid fill service center
- HID lights
- Mirrors, convex
- Mirrors, heated
- Rockford fan attachment for LRC machines
- Spare rim
- Visibility package (meets ISO 5006 requirements)
- Wheel chocks
- Work Area Vision System (WAVS)

For more complete information on Cat products, dealer services, and industry solutions, visit us on the web at www.cat.com

© 2012 Caterpillar
All Rights Reserved
Printed in U.S.A.

Materials and specifications are subject to change without notice. Featured machines in photos may include additional equipment. See your Cat dealer for available options.

CAT, CATERPILLAR, SAFETY.CAT.COM, their respective logos, "Caterpillar Yellow" and the "Power Edge" trade dress, as well as corporate and product identity used herein, are trademarks of Caterpillar and may not be used without permission.

AEHQ6344-01 (09-12)
Replaces AEHQ6344

