

Forks and Carriages

for Skid Steer, Multi Terrain and Compact Track Loaders



Features

- Full width mesh back rest
- Hook type fork
- Four fork lengths available
- Durable, high capacity carriage design

Benefits

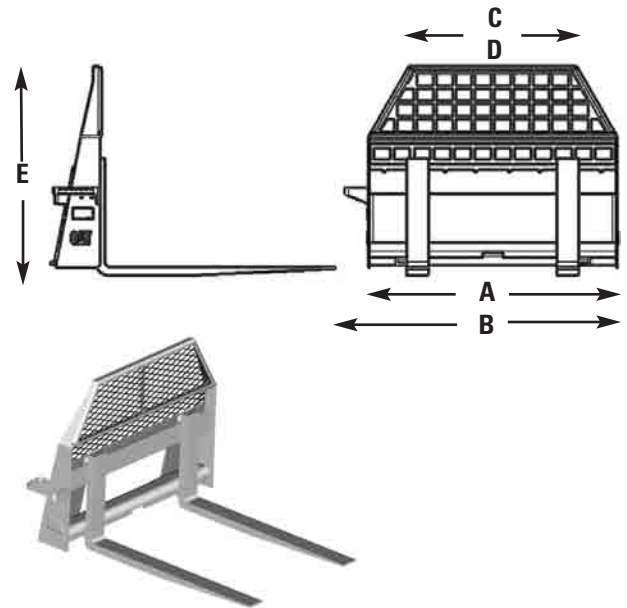
- Operator and load protection, whilst maintaining visibility.
- Easy adjustment of fork position, depending on load spacing.
- Performance matched to application.
- Ensures maximum load carrying capacity up to SSL/MTL capacity.

Forks and Carriages

Specifications and Dimensions

Carriages		mm
A	Width (Excl side step)	1150
B	Width (Incl side step)	1270
C	Spacing Min	154
D	Spacing Max	1006
E	Height	934

Forks					
Tine Length	mm	910	1070	1120	1220
Cross Section	mm	40x100	40x100	45x100	45x100
Weight	kg	39	44	48	51



Matching Guide

Forks and Carriages	Skid Steer Loaders	Multi Terrain Loaders	Compact Track Loaders
	216B, 226B, 232B, 236B, 242B, 252B, 246C, 256C, 262C, 272C	247B, 257B, 277C, 287C, 297C	279C, 289C, 299C

For more complete information on Cat products, dealer services, and industry solutions, visit us on the web at www.cat.com

HEHX3248-3 (10/2008) hr

© 2008 Caterpillar -- All rights reserved

Materials and specifications are subject to change without notice. Featured machines in photos may include additional equipment. See your Caterpillar dealer for available options.

CAT, CATERPILLAR, their respective logos, "Caterpillar Yellow" and the POWER EDGE™ trade dress, as well as corporate and product identity used herein, are trademarks of Caterpillar and may not be used without permission.

CATERPILLAR®
TODAY'S WORK. TOMORROW'S WORLD.™