

# G320, G330

## Demolition and Sorting Grapples for Hydraulic Excavators



### Features

Proven design

Standard drill pattern for bolt-on mounting brackets

Optional bolt-on replaceable wear plates

Standardized main components

Hydraulic components well protected

### Benefits

Provide more than a decade experience extremely effective for the demolition of non-concrete structures. Also suited for most recycling operations, and waste handling.

Easy interchange with other work tools.

Quick replacement of wear parts.

Reduce maintenance costs.

Optimal protection against damage.

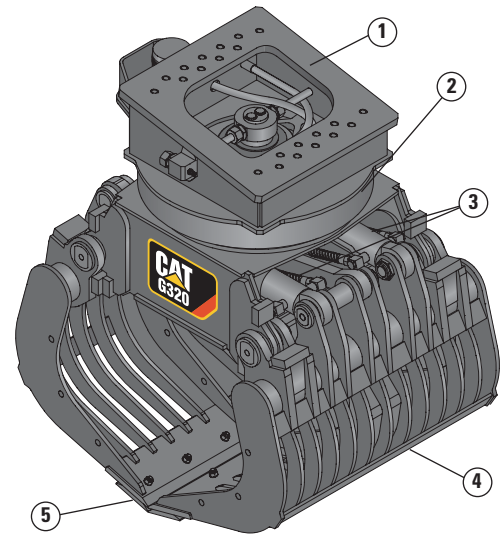
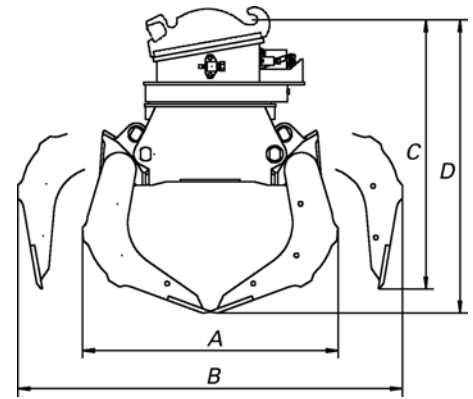
**CATERPILLAR®**

# G320, G330 Sorting and Demolition Grapples

## Specifications and Dimensions

		<b>G320</b>	<b>G330</b>
Weight*	kg	2060	2680
Capacity	liter	900	1000
Length			
<b>A</b> Grapple closed	mm	1505	1515
<b>B</b> Grapple open	mm	2265	2270
Width	mm	1394	1480
Height			
<b>C</b> Grapple closed	mm	1850	1915
<b>D</b> Grapple open	mm	1690	1775
Closing force	kN	60	60
Maximum Oil Flow			
Hydraulic cylinder	l/min	100	100
Rotation	l/min	40	40
Maximum Working Pressure			
Hydraulic cylinder	bar	350	350
Rotation	bar	140	140

\* Including mounting bracket



- 1 Plate for mounting adapter bracket
- 2 360 degree slewing ring
- 3 Fully protected cylinders
- 4 Horizontal, welded on steel bars reinforce vertical ribs
- 5 Optional bolt-on replaceable wear plates

## Hydraulic Requirements

Two way hydraulic high pressure lines for opening/closing and two way hydraulic medium pressure lines for rotation controlled by joystick in the cab or pedal according to customer's choice.

## Matching Guide

<b>Grapples</b>	<b>Hydraulic Excavators</b>
G320	322C, 324D, 325C/325D, 330C/330D, M318C/M318D, 325C UHD/325D UHD, 330C UHD/330D UHD, 345C UHD, 365C UHD, 385C UHD
G330	322C, 324D, 325C, 325D, 330C, 330D, 345C, 385C UHD

For more complete information on Cat products, dealer services, and industry solutions, visit us on the web at [www.cat.com](http://www.cat.com)

HEHX3152-2 (03/2007) hr

© 2007 Caterpillar -- All Rights Reserved

Materials and specifications are subject to change without notice. Featured machines in photos may include additional equipment. See your Caterpillar dealer for available options.

CAT, CATERPILLAR, their respective logos, "Caterpillar Yellow" and the POWER EDGE™ trade dress, as well as corporate and product identity used herein, are trademarks of Caterpillar and may not be used without permission.

**CATERPILLAR**®  
TODAY'S WORK. TOMORROW'S WORLD.™