

Angle Blade

for Skid Steer, Multi Terrain and Compact Track Loaders



Features

- Durable high capacity design
- Standard three-piece replaceable cutting edge
- Angles 30 degrees, left and right
- Angled end cutting edge
- Two-widths versions available

Benefits

- Ideal for moving dirt and gravel.
- Delivers long life and high performance.
- Beneficial for dozing, leveling or spreading applications.
- Allows operation up to vertical surfaces.
- Matched machine and application.

Angle Blades

Specifications and Dimensions

A Overall Width* (straight)	mm	1830	2134
B Working Width* (angled 30° right)	mm	1685	1949
C Height	mm	614	614
D Length	mm	753	753
Weight	kg	313	331
Adjustable cutting depth, three 25 mm increments	mm	0/25/50	0/25/50
Max blade angle (right or left of center)		30°	30°
Max blade trip angle (from vertical)		60°	60°

Standard

Bolt-on cutting edge

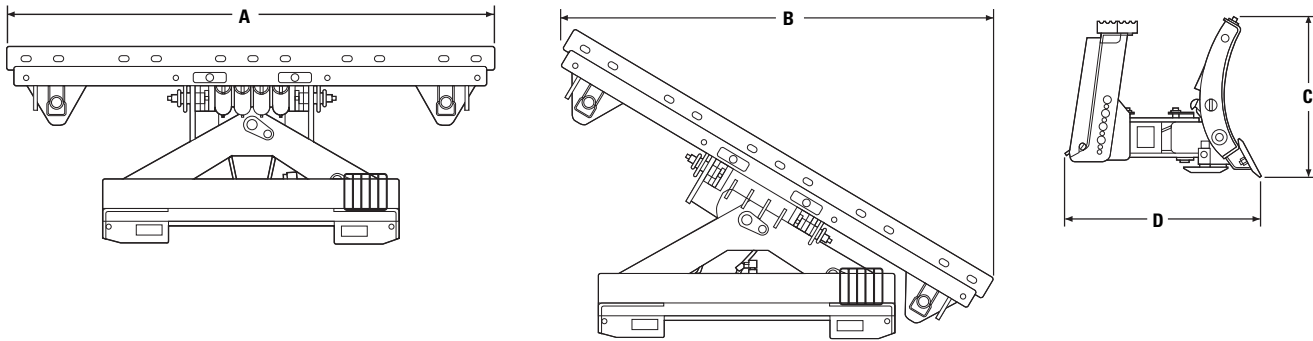
Optional

Bolt-on non-metallic edge

Bolt-on snow flap

Bolt-on edge antennas

* Measured from moldboard edges; overall width is approximately 50 mm wider with bolt-on edge.



Hydraulic Requirements

Angle blade hydraulic – Standard flow hydraulics and no electrics.

Matching Guide

Blades	Skid Steer Loaders	Multi Terrain Loaders	Compact Track Loaders
1829 mm	216B, 226B, 232B, 242B, 236B, 252B, 246C, 256C, 262C, 272C	247B, 257B, 277C, 287C, 297C	279C, 289C, 299C
2134 mm	236B, 246C, 256C, 262C, 272C, 216B, 226B, 232B, 242B, 252B,	247B, 257B, 277C, 287C, 297C	279C, 289C, 299C

For more complete information on Cat products, dealer services, and industry solutions, visit us on the web at www.cat.com

HEHX3169-3 (10/2008) hr

© 2008 Caterpillar -- All Rights Reserved

Materials and specifications are subject to change without notice. Featured machines in photos may include additional equipment. See your Caterpillar dealer for available options.

CAT, CATERPILLAR, their respective logos, "Caterpillar Yellow" and the POWER EDGE™ trade dress, as well as corporate and product identity used herein, are trademarks of Caterpillar and may not be used without permission.

CATERPILLAR®
TODAY'S WORK. TOMORROW'S WORLD.™