

# 6 Way Dozer Blade

for Skid Steer, Multi Terrain and Compact Track Loaders



## Features

Durable, high-capacity design

Variable power angle tilt design

Adjustable/removable skid shoes

Standard, three-piece, replaceable bolt-on, cutting edge

## Benefits

Ideal for moving dirt and gravel. Available in 2002 mm and 2342 mm widths.

With simultaneous tilt and angle function capability, better control and maneuverability for increased productivity.

Provide a stable platform and depth control for hard surfaces such as asphalt and concrete.

Delivers long life and high performance. The center section of the cutting edge is reversible. The angled end bits allow for flush cutting against a vertical surface when the blade is fully tilted.

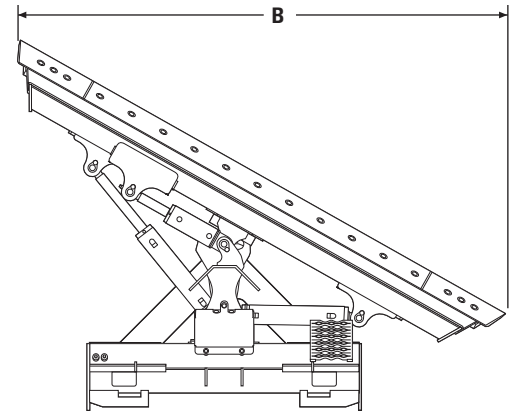
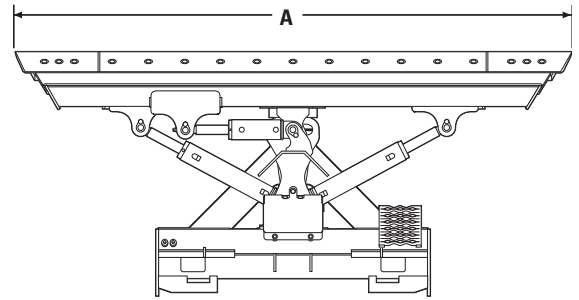
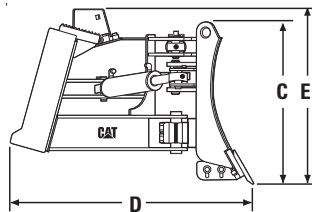
**CATERPILLAR®**

# Dozer Blades

## Specifications and Dimensions

<b>A</b> Overall Width	mm	2002	2342
<b>B</b> Working Width (fully angled)	mm	1750	2049
<b>C</b> Blade Height	mm	619	619
<b>D</b> Length	mm	1028	1028
<b>E</b> Total Work Tool Height	mm	737	737
Unit Weight	kg	491	528
Tilt		±10°	±10°
Angle		±30°	±30°
Cutting Edge	mm	16	16
Cylinder			
Bore	mm	70	70
Rod	mm	35	35
Stroke	mm	120/314	120/314

Skid shoes  
Adjustable



## Hydraulic Requirements

Standard flow hydraulics and full electrics.

## Matching Guide

Blades	Skid Steer Loaders	Multi Terrain Loaders	Compact Track Loader
2002 mm	216B, 226B, 232B, 236B, 242B, 252B, 246C, 256C, 262C, 272C	247B, 257B, 277C, 287C, 297C	279C, 289C, 299C
2342 mm	236B, 246C, 256C, 262C, 272C, 216B, 226B, 232B, 242B, 252B	277C, 287C, 297C, 247B, 257B	279C, 289C, 299C

For more complete information on Cat products, dealer services, and industry solutions, visit us on the web at [www.cat.com](http://www.cat.com)

HEHX3145-3 (10/2008) hr

© 2008 Caterpillar -- All Rights Reserved

Materials and specifications are subject to change without notice. Featured machines in photos may include additional equipment. See your Caterpillar dealer for available options.

CAT, CATERPILLAR, their respective logos, "Caterpillar Yellow" and the POWER EDGE™ trade dress, as well as corporate and product identity used herein, are trademarks of Caterpillar and may not be used without permission.

**CATERPILLAR**®  
TODAY'S WORK. TOMORROW'S WORLD.™